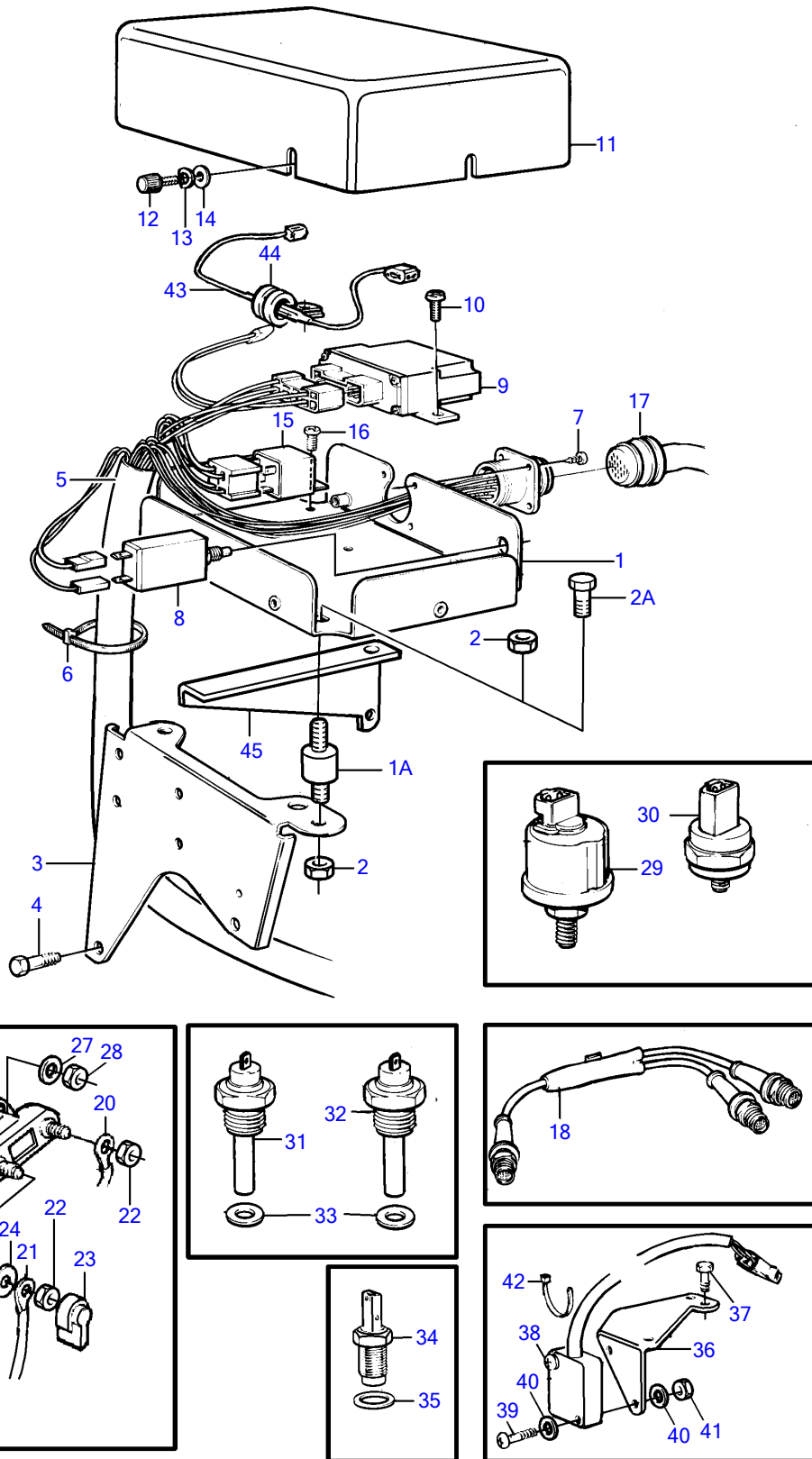


KAMD42P-A



16790

KAMD42P-A

REF	PART NO.	QTY	DESCRIPTION	SEE SEC.	NOTES
1	860417	1	Bracket		Repl by 3581402
	3581402	1	Bracket		
1A	1348141	3	Absorber		For 3581402
2	945407	6	Flange nut		
2A	968855	2	Flange screw		For 3580668
3	3580668	1	Bracket		Repl by 3581530
	3581530	1	Bracket		
4	947760	1	Flange screw		L=40mm
	948217	1	Flange screw		L=45mm
5	873551	1	Wiring harness		SN-2204215630
	873742	1	Wiring harness		SN2204215631-
6	948211	X	Cable tie		
7	955119	4	Cross recessed screw		
8	966689	1	Fuse		
9	872616	1	Rotation speed relay		
10	968476	2	Flange screw		
11	(860779)	1	Cover		Obsolete part
12	846736	3	Lock screw		
13	941904	3	Spring washer		
14	960137	3	Washer		
15	860339	1	Relay		12V 50A, SN-2204215630
	873740	1	Relay		12V 40A, SN2204215631-
16	968476	1	Flange screw		
17	846648	1	Extension cable'verl		L=3.0m
	846649	1	Extension cable'verl		L=5.0m
	846650	1	Extension cable'verl		L=7.0m
18	1140598	1	Distributing contact		For double steering positions.
29	866835	1	Sensor, oil-engine		0-10BAR
			• Bulletin P-38-6-1	P-38-6-1-EN	Vibration Damping Kit
29	866836	1	Sensor, oil-engine		For double steering positions., Alt,0-10bar
30	863169	1	Pressure monitor, oil-pressure		0,7bar
31	873066	1	Thermo monitor, coolant water temp.		97°C
32	827151	1	Temperature sensor, coolant water temp.		40-120°C
	840074	1	Temperature sensor, coolant water temp.		For double instruments., Alt, 120°C
33	947624	2	Gasket		
34	862251	1	Tachometer sensor		For revolution relay.
35	947624	1	Gasket		
36	860970	1	Bracket		
37	946544	2	Flange screw		
38	872597	1	Position sensor		
39	956050	2	Cross recessed screw		
40	955890	4	Washer		
41	966650	2	Lock nut		
42	948211	X	Cable tie		
43	873717	1	Resistor		Late type
44	952627	1	Clamp		
45	3581444	1	Bracket		For 3581402