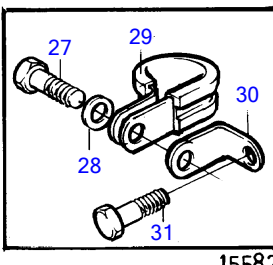
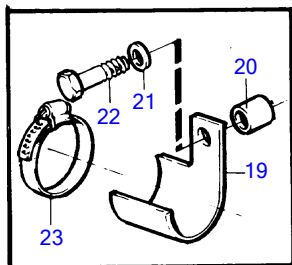
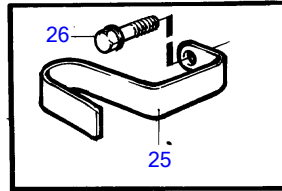
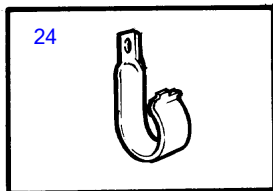
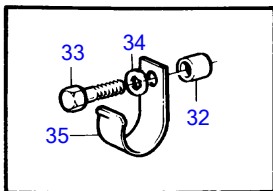
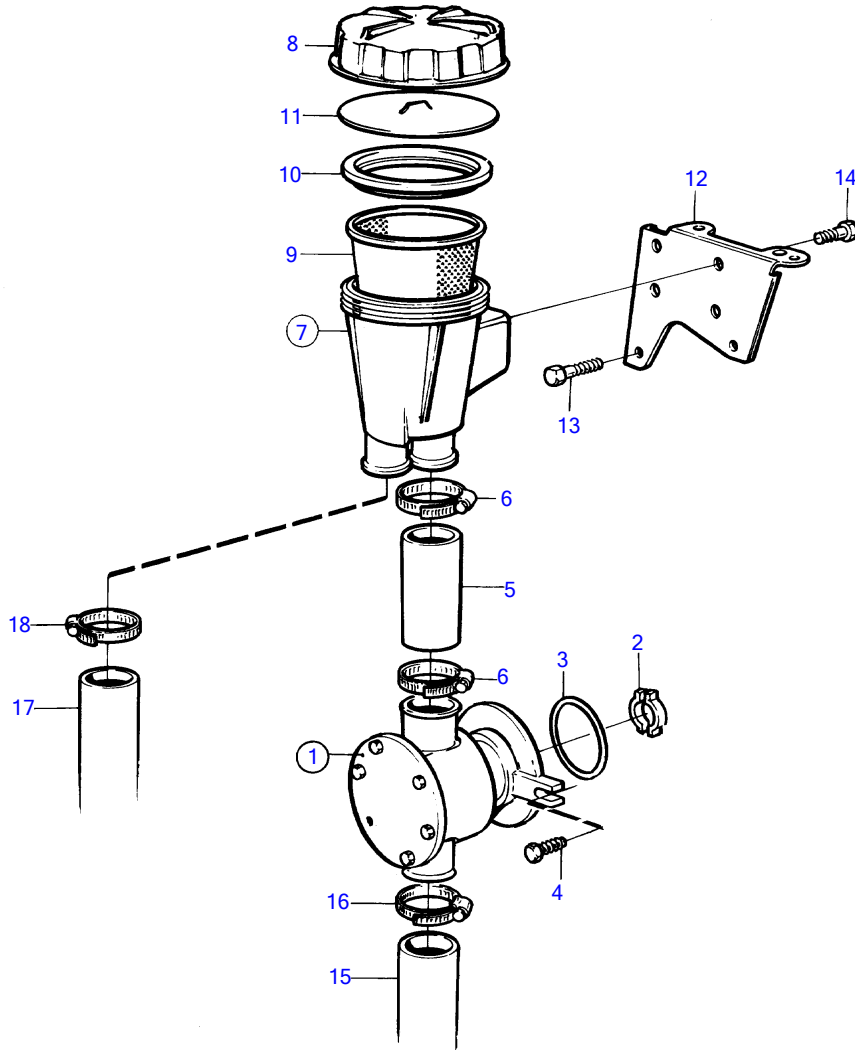


KAD42P-A



15582

KAD42P-A

REF	PART NO.	QTY	DESCRIPTION	SEE SEC.	NOTES
1	860629	1	Sea water pump		Repl by 3581558
			.		
			.	3399	
	3581558	1	Sea water pump		
			.		
			.	3400	
2	858467	1	Companion flange		
3	968971	1	O-ring		
4	946173	2	Flange screw		
5	949315	1	Rubber hose		L=60mm
6	943476	2	Hose clamp		
7	860631	1	Sea water filter		
8	842722	1	• Cover		
9	860687	1	• Strainer		
10	842724	1	• Sealing		
11	842982	1	• Pressure plate		
12	3580668	1	Bracket		
13	946470	1	Flange screw		L=35mm
	948217	1	Flange screw		L=45mm
14	944926	4	Flange screw		
15	861738	1	Hose		Intake-sea water pump.
16	961669	2	Hose clamp		
17	861018	1	Hose		Sea water filter-oil cooler.
18	943476	1	Hose clamp		
19	3580758	1	Bracket		
20	843075	1	Spacer sleeve		
21	955894	1	Washer		
22	945444	1	Flange screw		
23	961669	1	Hose clamp		
24	834974	1	Clamp		
25	861387	1	Bracket		
26	947760	1	Flange screw		
27	968855	1	Flange screw		
28	955893	1	Washer		
29	952640	1	Clamp		
30	846780	1	Bracket		
31	965181	1	Flange screw		
32	843075	1	Spacer sleeve, inlet		L=16mm
33	946671	1	Flange screw		L=30mm
34	955894	1	Washer		
35	857045	1	Clamp		