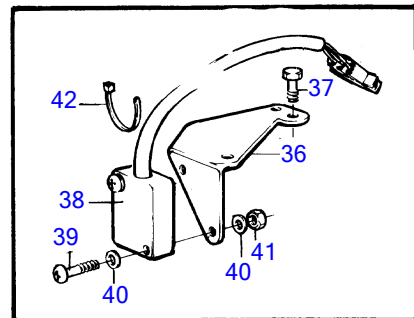
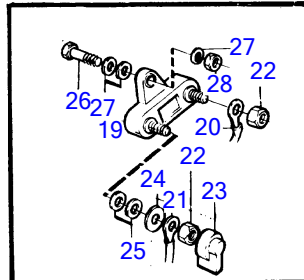
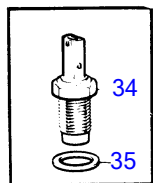
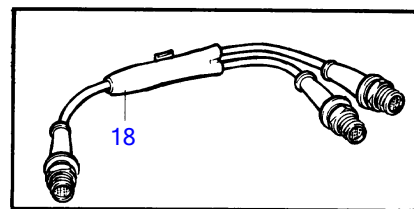
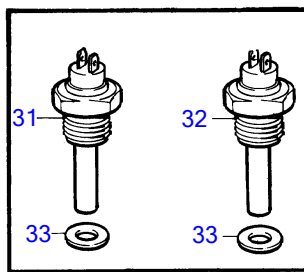
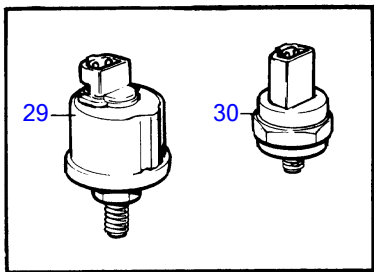
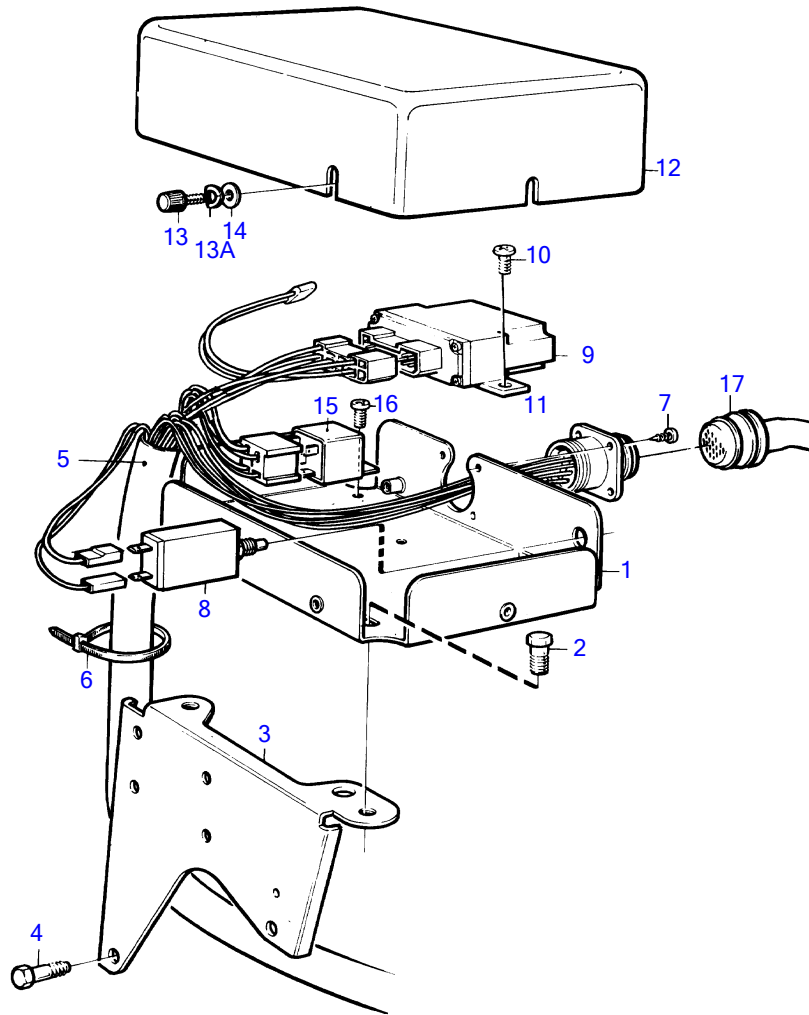


KAD42B



15148

## KAD42B

REF	PART NO.	QTY	DESCRIPTION	SEE SEC.	NOTES
1	860417	1	Bracket		
2	965175	2	Flange screw		
3	860611	1	Bracket		
4	947760	1	Flange screw		L=40mm
	948217	1	Flange screw		L=45mm
5	873551	1	Wiring harness		(873055)
6	948210	X	Cable tie		
7	955119	4	Cross recessed screw		
8	966689	1	Fuse		
9	872616	1	Rotation speed relay		
10	955138	2	Cross recessed screw		
11	955893	1	Washer		
12	(860779)	1	Cover		Obsolete part
13	846736	3	Lock screw		
13A	941904	3	Spring washer		
14	960137	3	Washer		
15	860339	2	Relay		12V 50A
16	955138	2	Cross recessed screw		
17	846648	1	Extension cable'verl		L=3.0m
	846649	1	Extension cable'verl		L=5.0m
	846650	1	Extension cable'verl		L=7.0m
18	1140598	1	Distributing contact		For double steering positions.
19	856355	1	Fuse		
20		1	Cable kit		Power trim
21		1	Cable kit		Power trim see group 44
22	955781	2	Hexagon nut		
23	(1234326)	1	Protecting casing		Obsolete part
24	960140	1	Washer		
25	955893	2	Washer		
26	947542	1	Flange screw		
27	955893	3	Washer		
28	945407	1	Flange nut		
29	866835	1	Sensor, oil-engine		0-10BAR
			• Bulletin P-38-6-1	P-38-6-1-EN	Vibration Damping Kit
29	866836	1	Sensor, oil-engine		For double steering positions., Alt
30	863169	1	Pressure monitor, oil-pressure		0,7bar
31	873066	1	Thermo monitor, coolant water temp.		97°C
32	827151	1	Temperature sensor, coolant water temp.		40-120°C
	840074	1	Temperature sensor		For double instruments., Alt
33	957181	2	Gasket		
34	862251	1	Tachometer sensor		For revolution relay.
35	957181	1	Gasket		
36	860970	1	Bracket		
37	965175	1	Flange screw		
38	872597	1	Position sensor		
39	956050	2	Cross recessed screw		
40	955890	4	Washer		
41	966650	2	Lock nut		
42	948210	X	Cable tie		