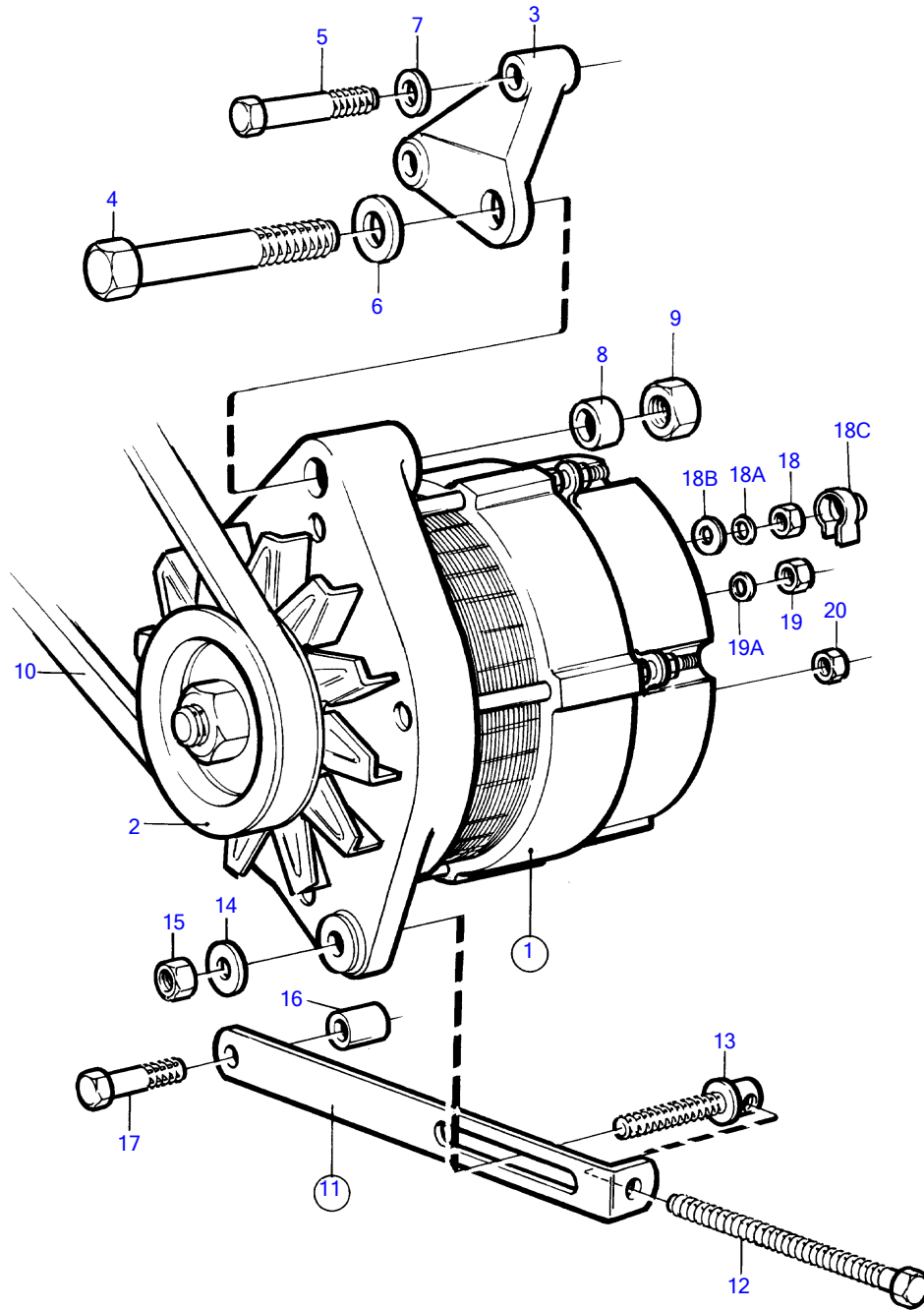


KAD42B, KAMD42B, TAMD42B



11402

KAD42B, KAMD42B, TAMD42B

| REF | PART NO. | QTY | DESCRIPTION | SEE SEC. | NOTES |
|-----|-----------|-----|------------------------|----------|-------------------|
| 1 | 872235 | 1 | Alternator | | 14V 60A |
| | 3803260 | 1 | Alternator, exch, exch | | 14V 60A |
| | | | . | | |
| | | | . | 448 | |
| 2 | 841813 | 1 | Pulley | | |
| 3 | 860666 | 1 | Bracket | | |
| 4 | 959804 | 1 | Hexagon screw | | L=127mm |
| 5 | 965180 | 1 | Flange screw | | L=60mm |
| | 969189 | 1 | Flange screw | | L=85mm |
| 6 | 941909 | 1 | Spring washer | | |
| 7 | 941907 | 2 | Spring washer | | |
| 8 | 860699 | 1 | Spacer sleeve | | |
| 9 | 950355 | 1 | Lock nut | | |
| 10 | 977542 | 1 | V-belt | | |
| 11 | 860962 | 1 | Tensioning arm | | M6, SN-2204207319 |
| | 861660 | 1 | Tensioning arm | | M8, SN220420732- |
| 12 | 1336962 | 1 | • Adjusting screw | | M6 |
| | 977820 | 1 | • Hexagon screw | | M8 |
| 13 | 1378955 | 1 | • Lock screw | | For 1336962 |
| | 861663 | 1 | • Flange screw | | For 977820 |
| 14 | 941907 | 1 | Spring washer | | |
| 15 | 968862 | 1 | Nut | | |
| 16 | 843075 | 1 | Spacer sleeve | | |
| 17 | 969189 | 1 | Flange screw | | |
| 18 | 955781 | 1 | Hexagon nut | | M6, b+ |
| 18A | 955893 | 2 | Washer | | |
| 18 | 941906 | 1 | Spring washer | | |
| 18B | 960140 | 1 | Washer | | |
| 18C | (1234326) | 1 | Protecting casing | | Obsolete part |
| 19 | 965483 | 1 | Flange nut | | M5, D+ |
| 19A | 941905 | 1 | Spring washer | | |
| 20 | 955779 | 1 | Hexagon nut | | M4, w |