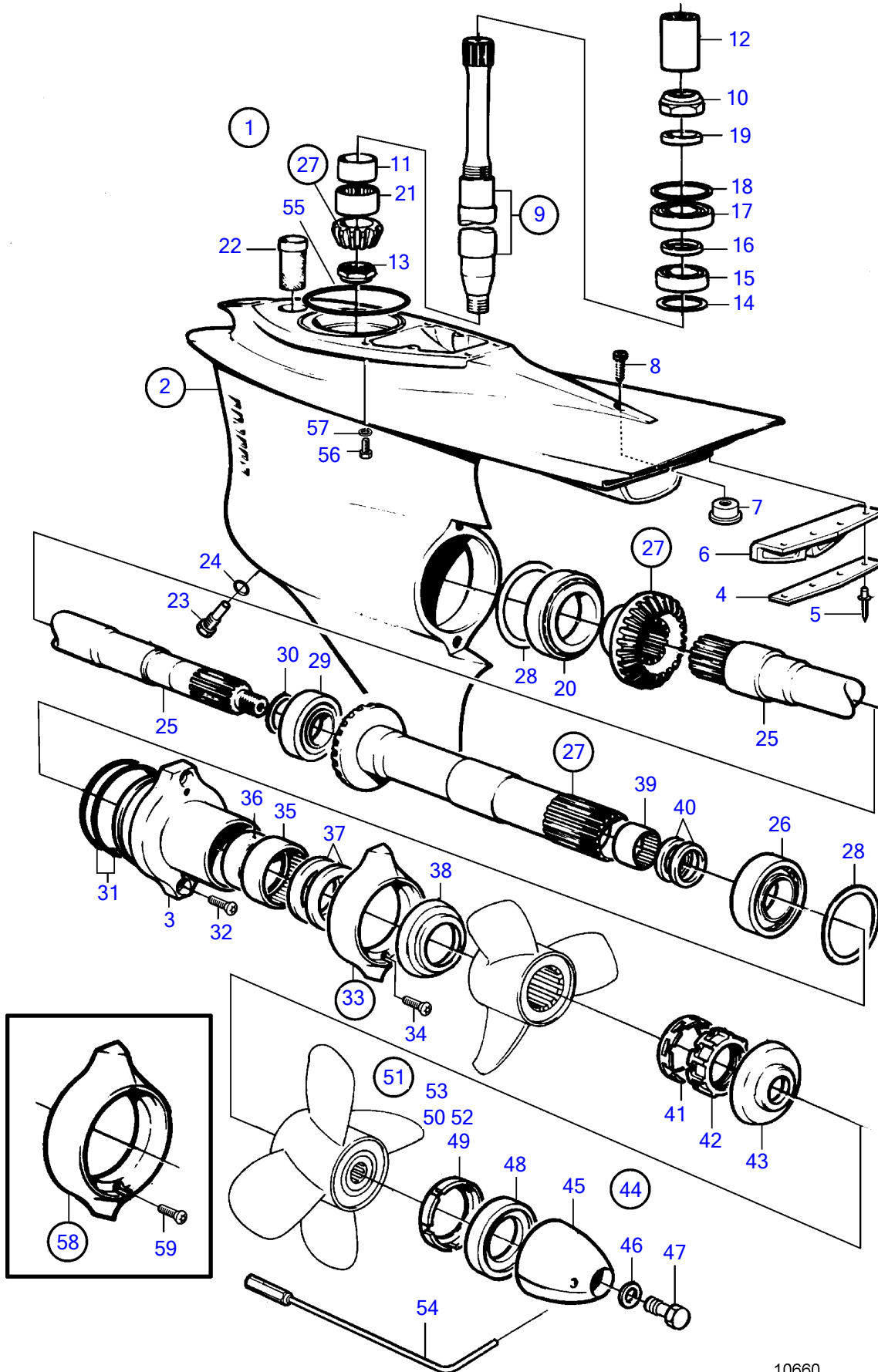


DP-D



DP-D

REF	PART NO.	QTY	DESCRIPTION	SEE SEC.	NOTES
1	872306	1	Gear		Also available as an exchange part., Ratio 1,78:1
2	872307	1	• Gear housing		
3	854053	1	• • Bearing housing		
4	872439	1	• • Attaching plate		
5	977711	4	• • Blind rivet		
6	872438	1	• • Check valve		
7		1	• plug		
8		1	• screw		
9	854611	1	• Countershaft		
10	969071	1	• • Round nut		
11	184682	1	• • Inner ring		
12	854553	1	• • Splined sleeve		
			• Bulletin P-44-1-6	P-44-1-6-EN	Lower Gear Unit
13	852212	1	• Nut		
14	941832	X	• Shim		TH=0,05mm
	941833	X	• Shim		TH=0.20mm
15	183374	1	• Ball bearing		
16	944970	X	• Shim		
17	11072	1	• Roller bearing		
18	944522	X	• Shim		TH=0,05mm
	42981	X	• Shim		TH=0,10mm
	968057	X	• Shim		TH=0.20mm
	42980	X	• Shim		TH=0.35mm
19	897387	1	• Tensioning ring		
20	11044	1	• Roller bearing		
21	184654	1	• Needle roller bushin		
22	814482	1	• Oil strainer		
23	852904	1	• Magnetic plug		
24	955974	1	• O-ring		
25	852181	1	• Propeller shaft		Replaced by propeller shaft 872533 + propeller cone kit 872549.
26	184765	1	• Roller bearing		
27	854464	1	• Gear set		Ratio 1,78:1
28	967352	X	• Shim		TH=0,05mm
	941823	X	• Shim		TH=0,10mm
	967351	X	• Shim		TH=0.15mm
	941824	X	• Shim		TH=0.20mm
	941825	X	• Shim		TH=0.40mm
29	184691	1	• Roller bearing		
30	191834	X	• Shim		TH=0,10mm
	191835	X	• Shim		TH=0.15mm
	191837	X	• Shim		TH=0.25mm
31	925258	2	• O-ring		
32	941812	2	• Hex. socket screw		
33	875821	1	• Zinc ring kit		
34	966808	2	• • Screw		
35	183859	1	• Needle roller bushin		
36	184683	1	• Inner ring		
37	851407	2	• Sealing ring		
38	853440	1	• Line cutter		Front
39	183272	1	• Needle roller bushin		
40	853871	1	• Sealing ring		
41	853869	1	• Lock washer		
42	852196	1	• Propeller nut		
43	853441	1	• Line cutter		Rear
44	872614	1	• Spinner		(854666)
45		1	• • Propeller cone		
46	941670	1	• • Washer		
47	872545	1	• • Lock screw		M8
48	853676	1	• • Spacer ring		
49	854294	1	• • Plastic washer		
50		1	• • pressure washer		
51	854667	1	• Spare parts kit		
52	854294	1	• • Plastic washer		

