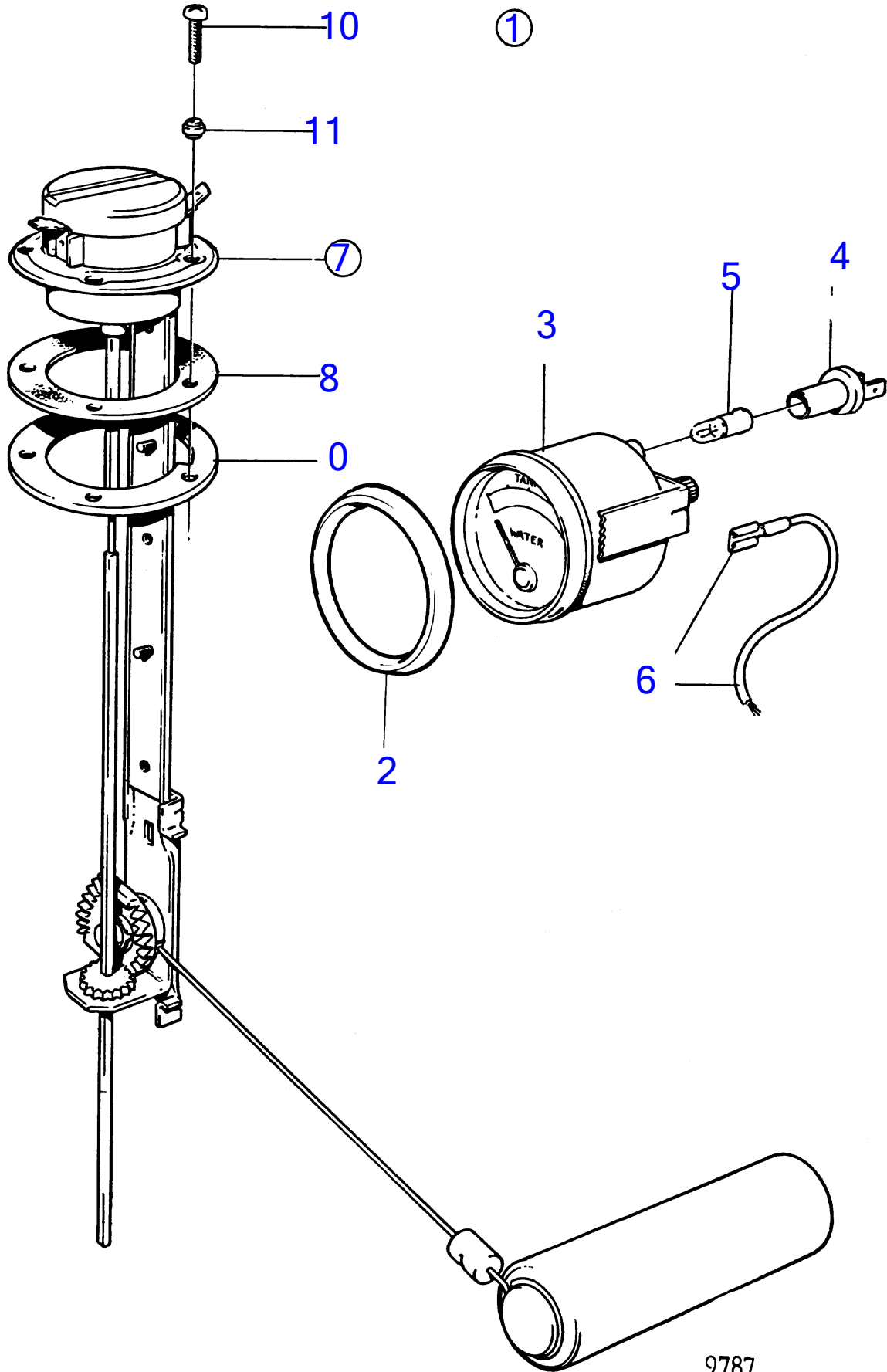


KAD42A, KAMD42A



KAD42A, KAMD42A

REF	PART NO.	QTY	DESCRIPTION	NOTES
1	1140461	1	Fuel gauge kit	12V
2	858643	1	• Front ring	
3	863940	1	• Fuel gauge	
4	863945	2	• • Lamp socket	For instruments with partno 828632,828635 should white bulb 19923 and bulb holder 808175 be installed.
5	863946	2	• • Bulb	
6		X	• cables and terminals	See group 3
7	837999	1	• Sensor	
8	89865	1	• • Gasket	
9	834480	1	• • Flange	
10	956078	4	• • Cross recessed screw	
	956081	1	• • Cross recessed screw	
11	834481	5	• • Gasket	