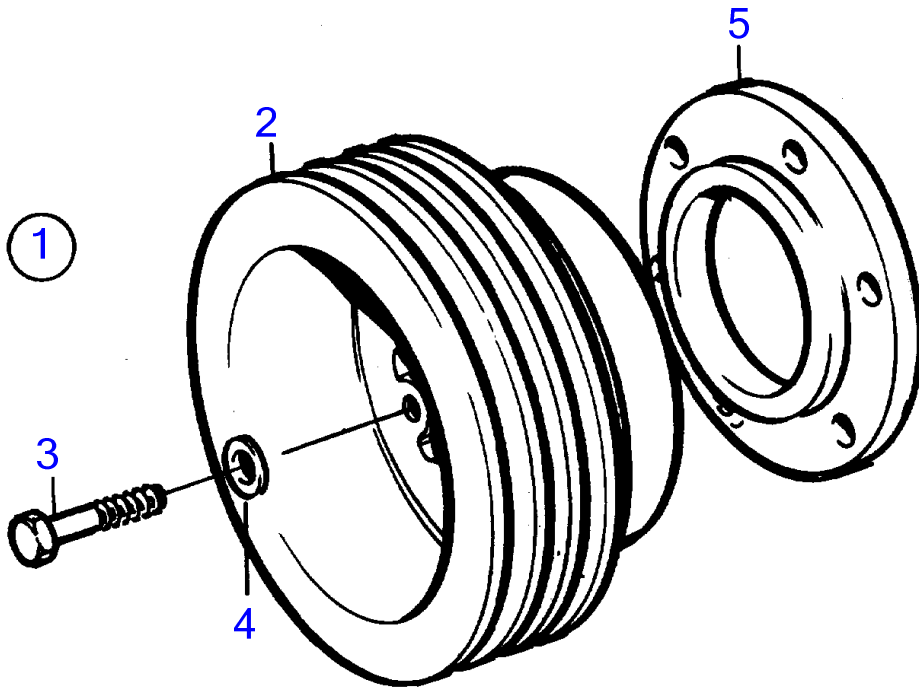


KAD42A, KAMD42A



KAD42A, KAMD42A

REF	PART NO.	QTY	DESCRIPTION	NOTES
1	861157	1	Pulley	Fits engines with damper thickness T=35 and T=41mm., "HC50"
2	861123	1	• Pulley	"HC50"
3	963233	6	• Hexagon screw	
4	941907	6	• Spring washer	
5	860870	1	• Spacer	