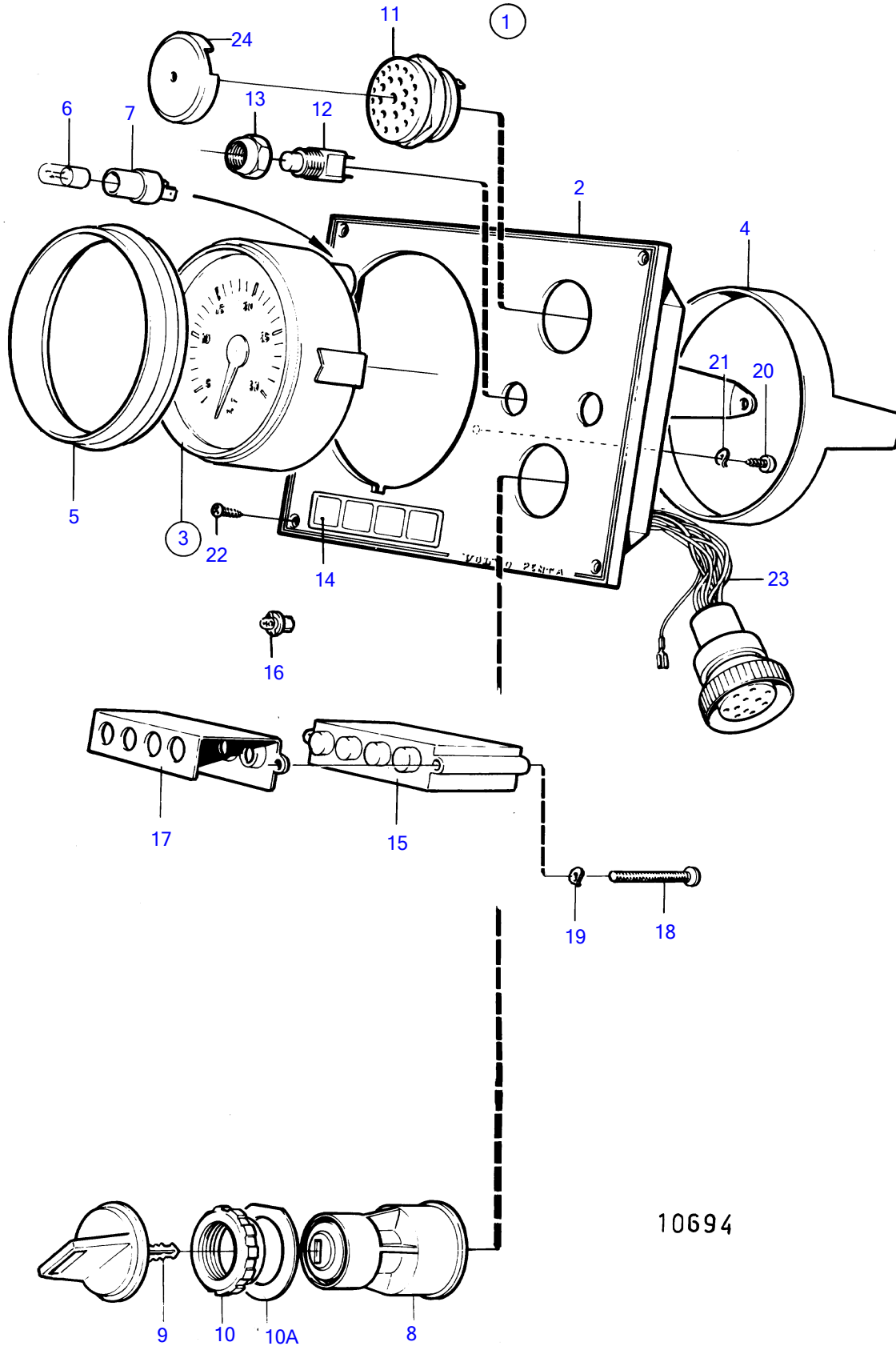


KAD42A, KAMD42A



## KAD42A, KAMD42A

REF	PART NO.	QTY	DESCRIPTION	SEE SEC.	NOTES
1	864043	1	Instrument panel		White coloured decor stripe., 12V
2	860183	1	• Instrument panel		
3	838811	1	• Tachometer		
4	(828558)	1	• • Attaching ring		Obsolete part
5	858644	1	• Front ring		
6	19923	1	• Bulb		
7	808175	1	• Lamp socket		
8	864277	1	• Starter switch		
9	859953	1	• • Key		
			Bulletin 49-30	49-30-EN	Key P/N 859953
10	859955	1	• • Plastic nut		
10A	860086	1	• • Marking label		
11	828587	1	• Buzzer		
12	828584	1	• Toggle switch		Alarm
	828585	1	• Toggle switch		Lighting
13	828586	2	• Nut		
14	858645	1	• Symbol strip		
15	828783	1	• Electronic unit		
16	19923	4	• Bulb		
17	828784	1	• Reflector		
18	941615	2	• Cross recessed screw		
19	941904	2	• Spring washer		
20	949947	1	• Cross recessed screw		
21	941904	1	• Spring washer		
22	828647	4	• Screw		
23	828648	1	• Cable kit		
24	858795	1	• Protecting casing		