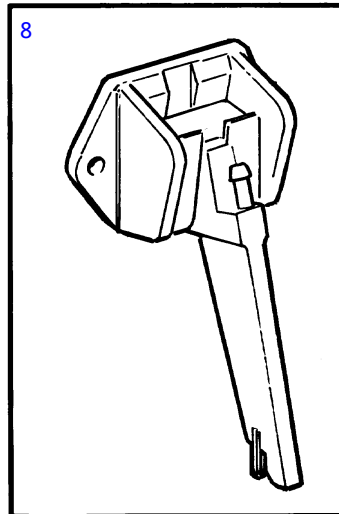
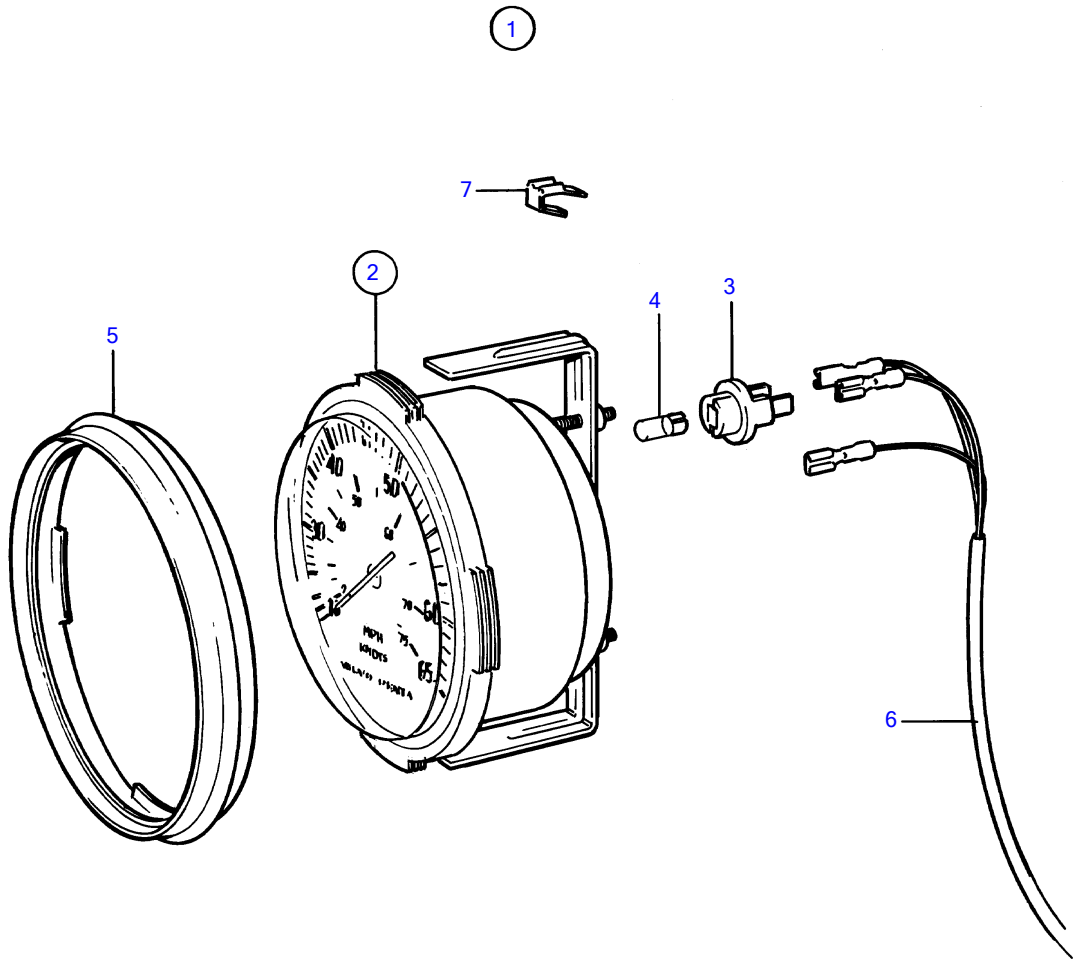


KAD42A, KAMD42A



11547

KAD42A, KAMD42A

REF	PART NO.	QTY	DESCRIPTION	NOTES
1	1140433	1	Pressure log kit	
2	856810	1	• Pressure log	
3	863945	1	• • Lamp socket	
4	863946	1	• • Bulb	
5	856805	1	• Ring	
6		1	• cable kit	
		X	• • cables and terminals	See group 3
7	943950	1	• Switch	For diesel
8	856818	1	• Connector kit	For the transom stern.