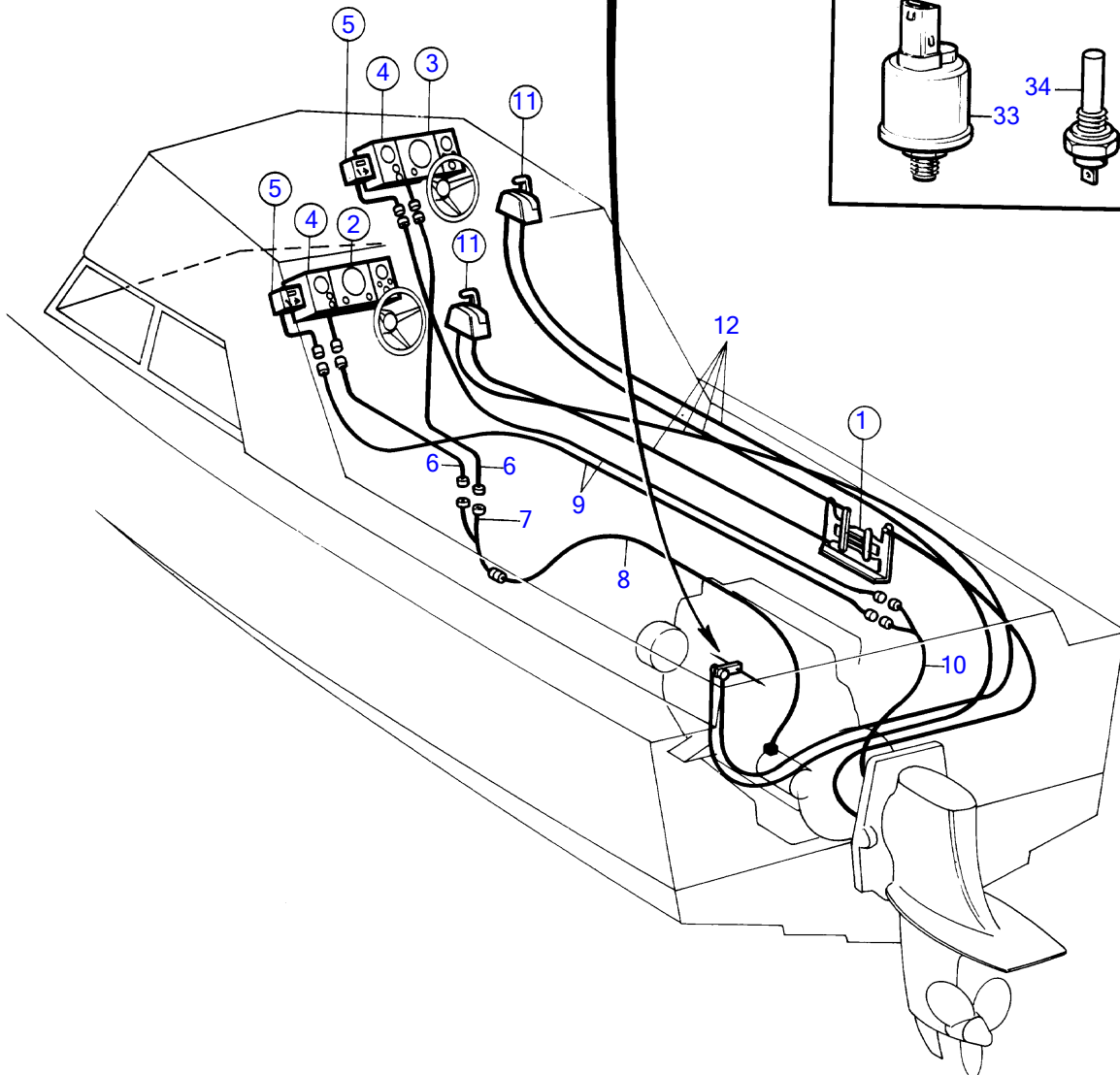
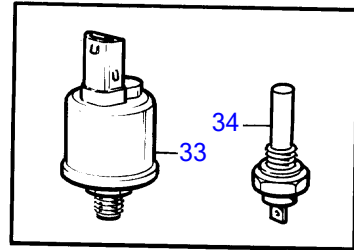
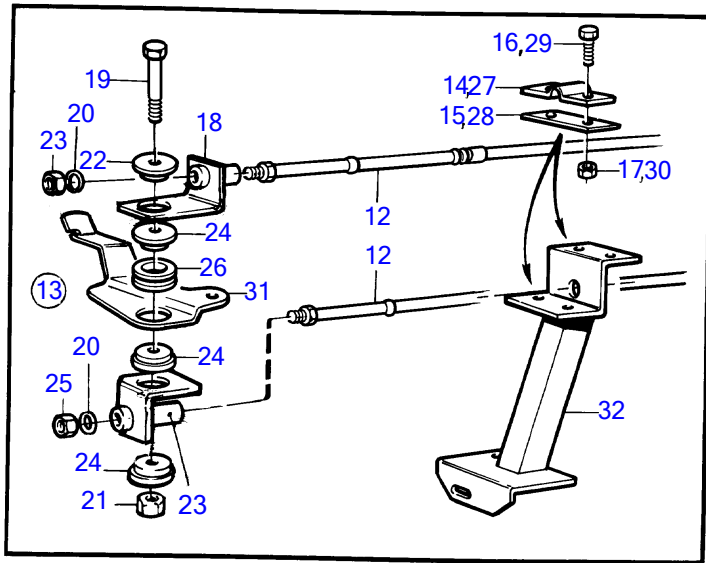


KAD42A, KAMD42A



KAD42A, KAMD42A

REF	PART NO.	QTY	DESCRIPTION	SEE SEC.	NOTES
1	828164	1	Connection plate		
			•	20770	
2		1	instrument panel		Std, see group 3
3	864043	1	Instrument panel		
			•	20774	
4	(858874)	1	Instrument panel		Obsolete part
			•	20776	
5		2	trimmer		See group 4A
6	846648	X	Extension cable'verl		L=3000mm
	846649	X	Extension cable'verl		L=5000mm
	846650	X	Extension cable'verl		L=7000mm
7	1140598	1	Distributing contact		
8		1	cable unit		Std, see group 3
9	853052	1	Extension cable'verl		L=3000mm
10		1	cable unit		
		X	• cables and terminals		See group 3
11		X	control		
12		X	control cable	20771	
13	861221	1	Engine speed control		
14	21471054	1	• Bracket		
15	819068	1	• Washer		
16	956078	2	• Cross recessed screw		
17	951674	2	• Lock nut		
18	861215	1	• Bracket		
19	955275	1	• Hexagon screw		
20	955971	2	• O-ring		
21	946035	1	• Lock nut		
22	843105	1	• Spacer washer		
23	861214	1	• Bracket		
24	843105	3	Spacer washer		
25	951674	2	Lock nut		
26	843109	1	Bushing		
27	21471054	1	Bracket		
28	819068	1	Washer		
29	956078	2	Cross recessed screw		
30	951674	2	Lock nut		
31		1	bracket		See group 2D
32		1	bracket		See group 2D
33	862568	1	Oil pressure sensor		
34	840074	1	Temperature sensor		