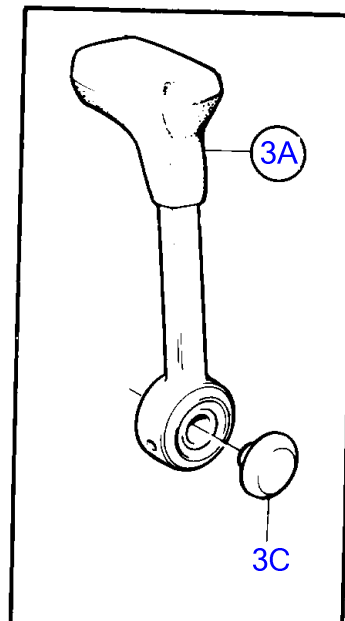
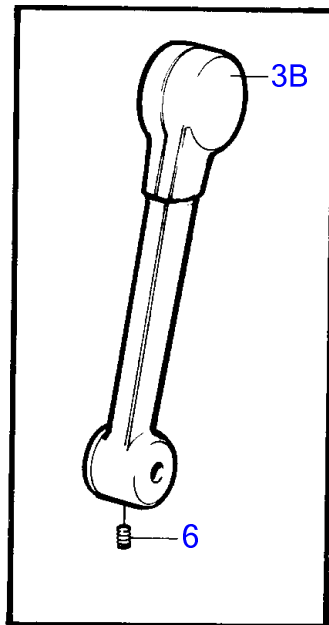
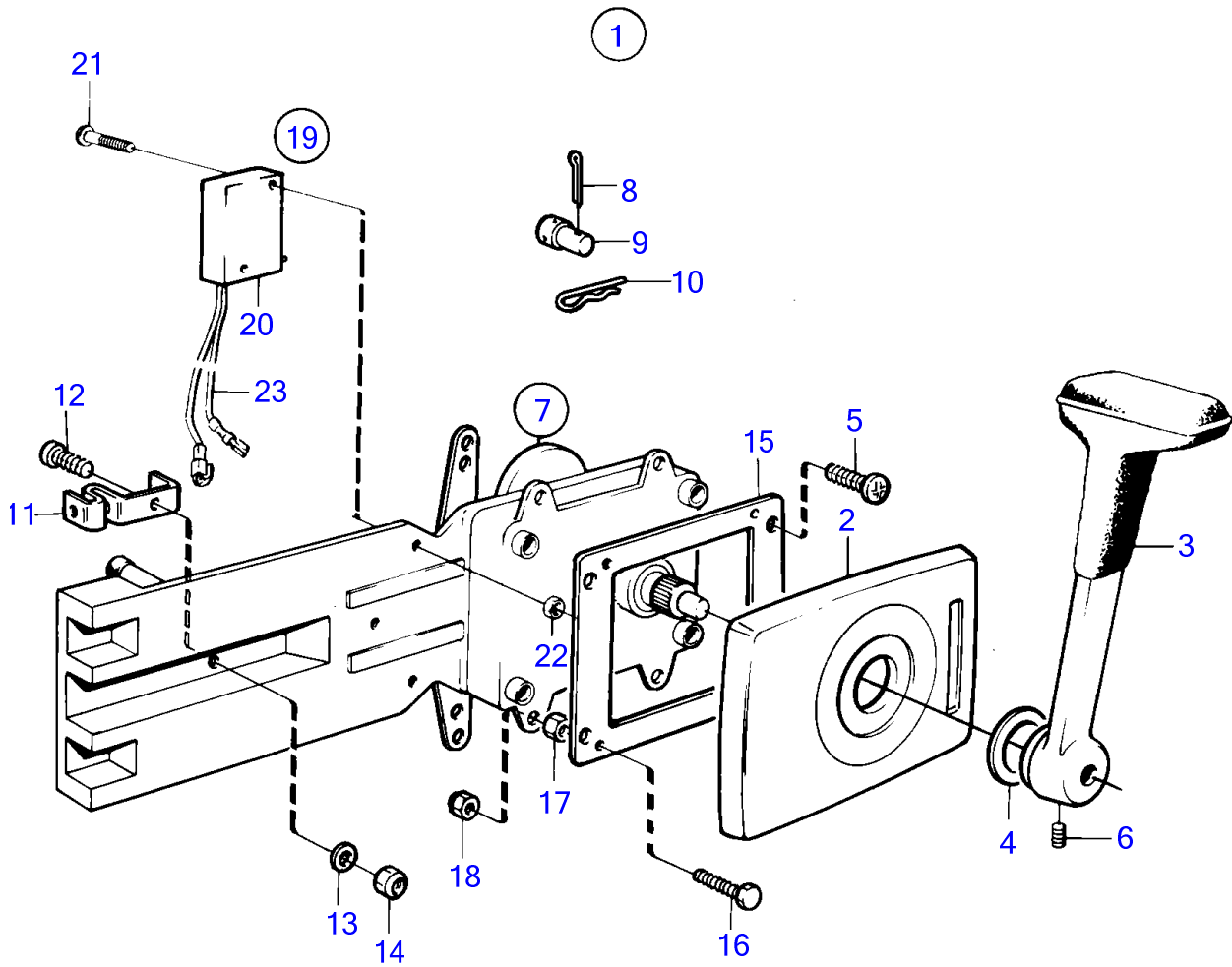


KAD42A, KAMD42A



10315

KAD42A, KAMD42A

REF	PART NO.	QTY	DESCRIPTION	SEE SEC.	NOTES
1	1140092	1	Mounting kit		PC741
2	853713	1	• Anode kit		
3	839520	1	• Hand lever		
			• •	20765	
4	1140094	1	• Washer		
5	961330	4	• Cross recessed screw		
6	839693	1	• Lock screw		
7	1140095	1	Control mechanism		
8	17253	2	• Split pin		
9	839638	2	• Cube		
10	852924	1	• Clip		
11	853423	1	• Retainer		
12	839664	1	• Screw		
13	940275	1	• Washer		
14	946435	1	• Lock nut		
15		1	• attaching plate		Not to be used together with installation kit 851605
16	963548	4	• Hexagon screw		
17		4	• nut		
18	946435	4	• Lock nut		
19	855352	1	Neutral position con		
20	850200	1	• Toggle switch		
21	946177	2	• Cross recessed screw		
22	947536	2	• Hexagon nut		
23		X	• cables and terminals		See group 3
		X	• electrical materials		See group 3