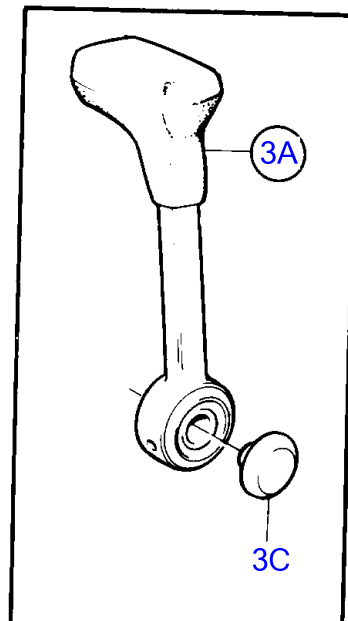
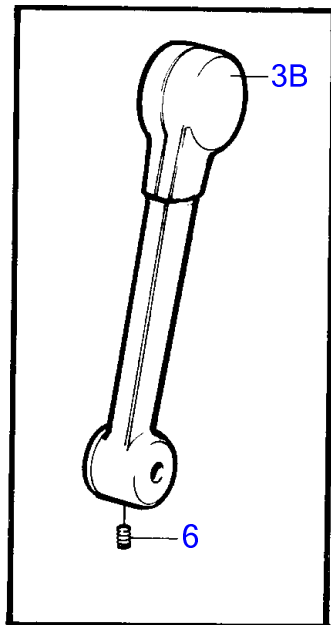
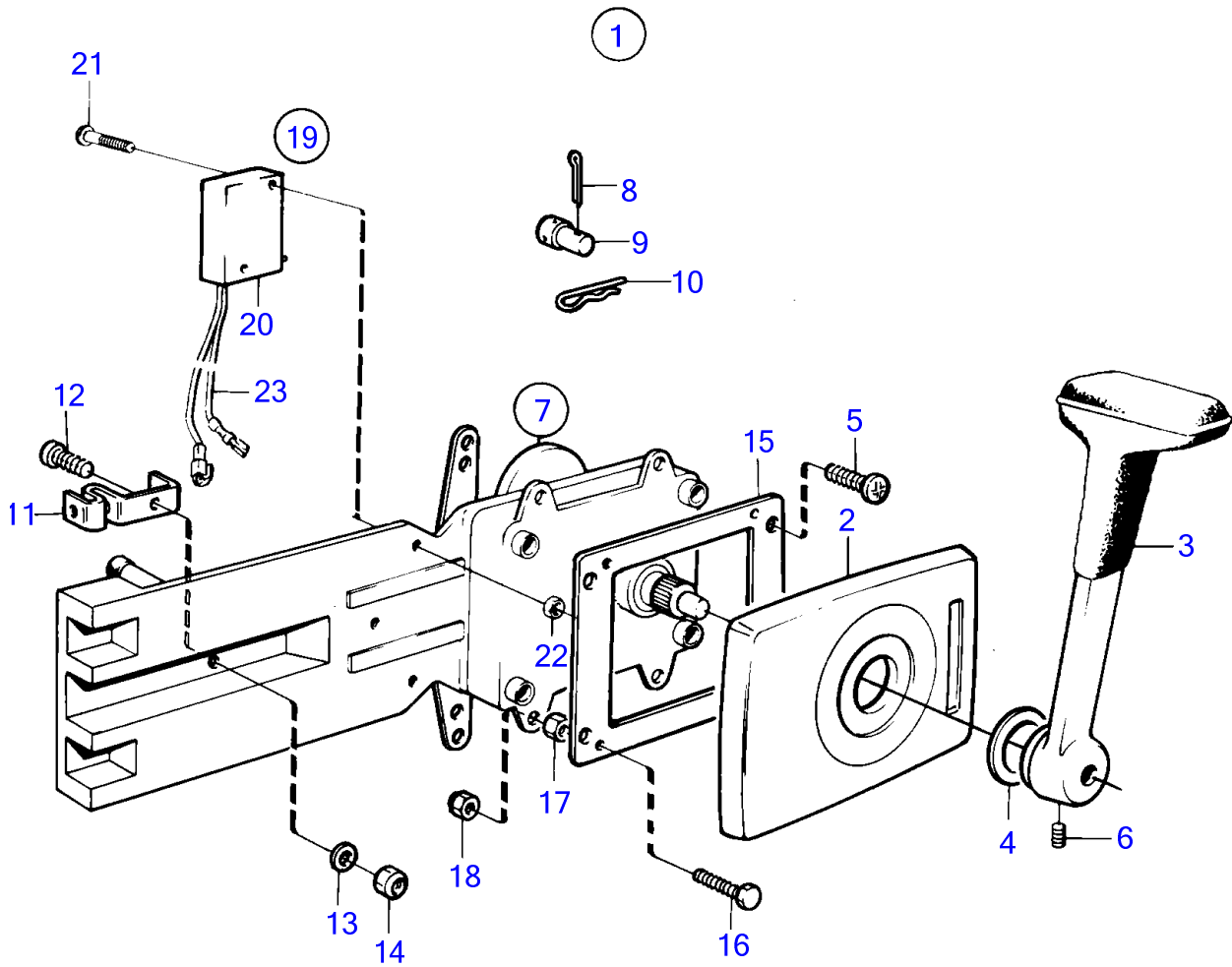


KAD42A, KAMD42A



10315

KAD42A, KAMD42A

REF	PART NO.	QTY	DESCRIPTION	NOTES
1	1140090	1	Mounting kit	PC841
2	853713	1	• Anode kit	
3A	852347	1	• Hand lever	
3C	853004	1	• Push button	
5	961330	4	• Cross recessed screw	
7	1140095	1	Control mechanism	
8	17253	2	• Split pin	
9	839638	2	• Cube	
10	852924	1	• Clip	
11	853423	1	• Retainer	
12	839664	1	• Screw	
13	940275	1	• Washer	
14	946435	1	• Lock nut	
15		1	• attaching plate	Not to be used together with installation kit 851605
16	963548	4	• Hexagon screw	
17		4	• nut	
18	946435	4	• Lock nut	
19	855352	1	Neutral position con	
20	850200	1	• Toggle switch	
21	946177	2	• Cross recessed screw	
22	947536	2	• Hexagon nut	
23		X	• cables and terminals	See group 3
		X	• electrical materials	See group 3

7745930-90-20768B

10315

Upd:2011-03-18

KAD42A, KAMD42A, DP-D, HS1A, MS5B

**VOLVO**  
**PENTA**