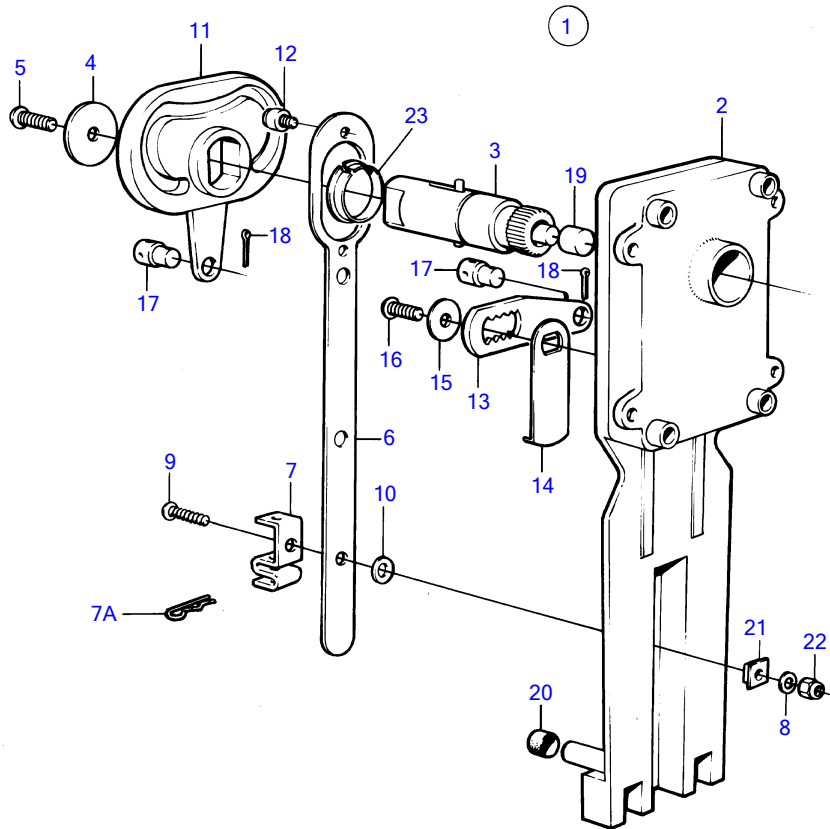


KAD42A, KAMD42A



7600

KAD42A, KAMD42A

REF	PART NO.	QTY	DESCRIPTION	NOTES
1	839469	1	Control	Top-mounted replaced by 851600., Side-mounted replaced by 851601.
2		1	• housing	
3		1	• shaft	
4		1	• washer	
5		1	• screw	
6	(839668)	1	• Link arm	Obsolete part
7	853423	1	• Retainer	
7A	852924	1	• Clip	
8		1	• washer	
9	839664	1	• Screw	
10		1	• washer	
11	(839636)	1	• Eccentric	Obsolete part
12	(851713)	1	• Spare parts kit	Obsolete part
13		1	• coupling arm	
14		1	• breaker arm	
15		1	• washer	
16		1	• screw	
17	839638	2	• Cube	
18	17253	2	• Split pin	
19	839632	1	• Button	
20	839640	1	• Vibration damper	
21	(839666)	1	• Washer	Obsolete part
22	963104	1	• Lock nut	
23	(839701)	1	• Bushing	Obsolete part