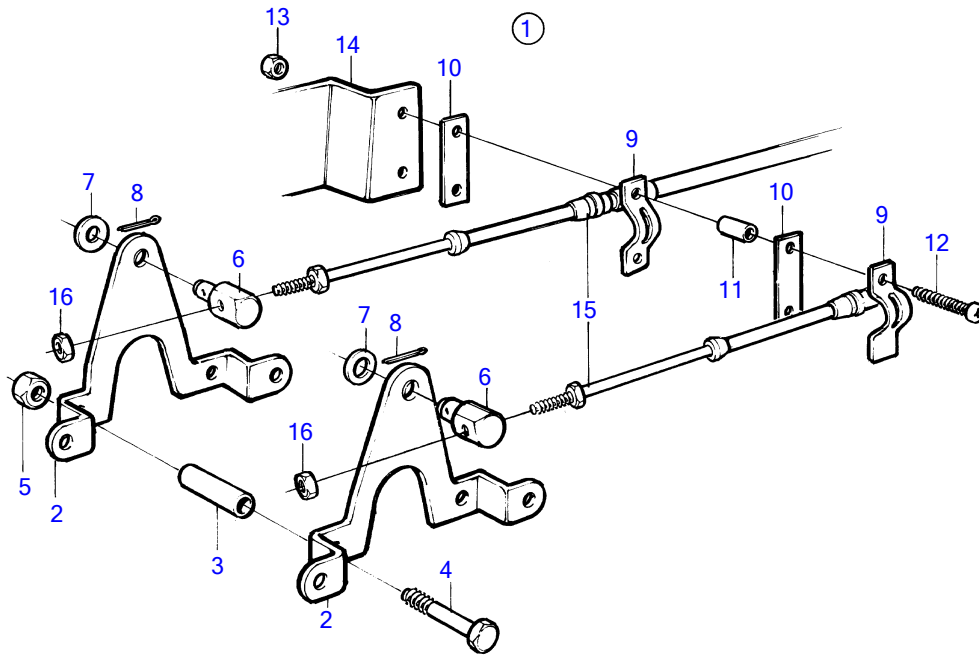


KAD42A, KAMD42A



9531

KAD42A, KAMD42A

| REF | PART NO. | QTY | DESCRIPTION | SEE SEC. | NOTES |
|-----|----------|-----|----------------------|----------|---------------|
| 1 | (854293) | 1 | Connector kit | | Obsolete part |
| 2 | 853922 | 2 | • Intermediate lever | | |
| 3 | 853921 | 2 | • Spacer sleeve | | |
| 4 | 955276 | 2 | • Hexagon screw | | |
| 5 | 946035 | 2 | • Lock nut | | |
| 6 | 804312 | 2 | • Cube | | |
| 7 | 955892 | 2 | • Washer | | |
| 8 | 17276 | 2 | • Split pin | | |
| 9 | 21471054 | 2 | • Bracket | | |
| 10 | 819068 | 2 | • Washer | | |
| 11 | 830674 | 2 | • Spacer sleeve | | |
| 12 | 955250 | 2 | • Hexagon screw | | |
| 13 | 965483 | 2 | • Flange nut | | |
| 14 | | 1 | bracket | | See group 4B |
| 15 | | X | control cable | 20771 | |
| 16 | 951674 | 2 | Lock nut | | |