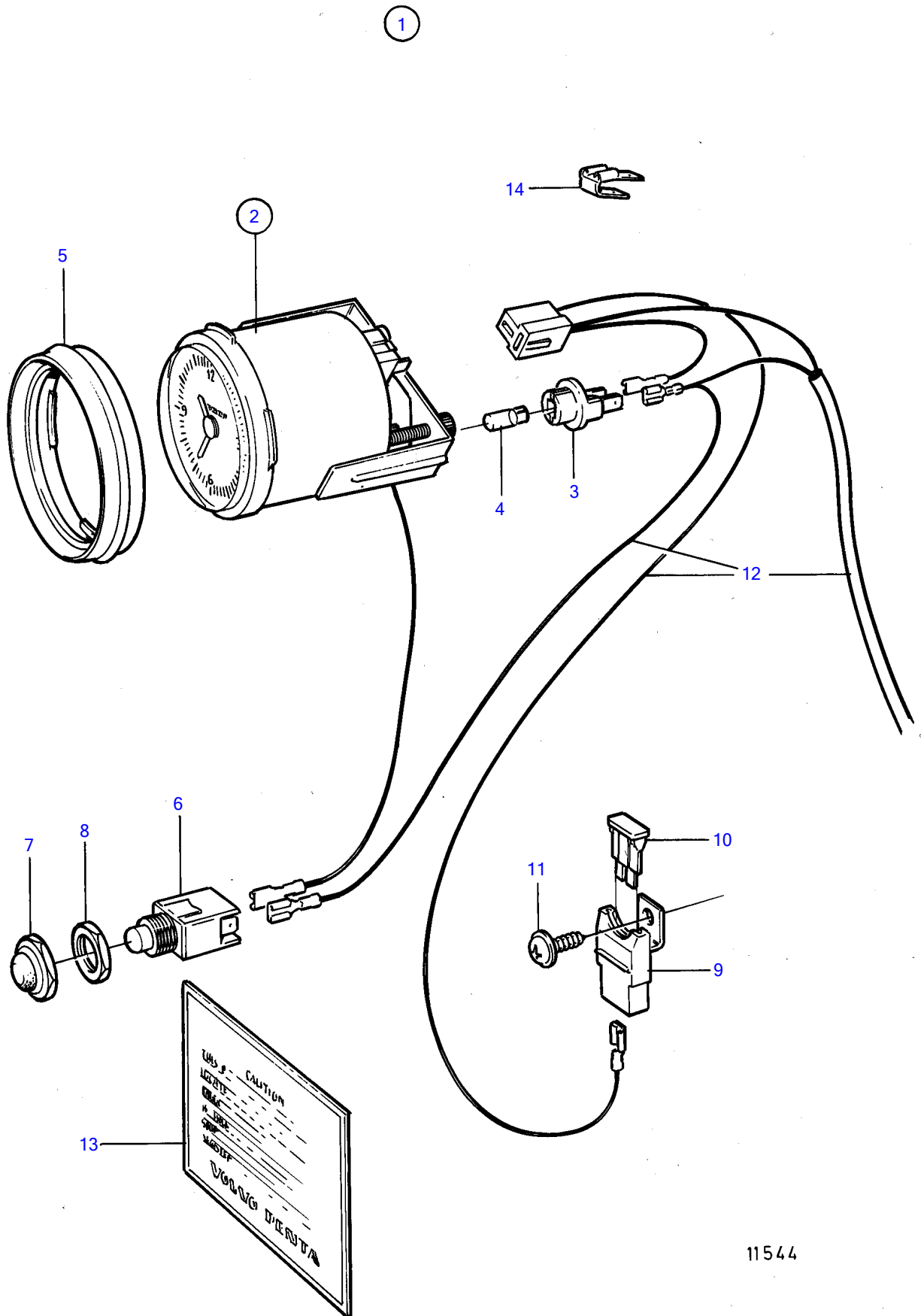


KAD42A, KAMD42A



11544

KAD42A, KAMD42A

REF	PART NO.	QTY	DESCRIPTION	NOTES
1	1140597	1	Clock kit	
2	856814	1	• Clock	
3	863945	1	• • Lamp socket	
4	863946	1	• • Bulb	
5	858643	1	• Front ring	
6	828584	1	• Toggle switch	
7	828586	1	• Nut	
8		1	• nut	
9	1323312	1	• Insulator	
10	969115	1	• Fuse	3A
11	965391	1	• Cross recessed screw	
12	872492	1	• Cable kit	
13	841242	1	• Label	
14	943950	1	• Switch	For diesel