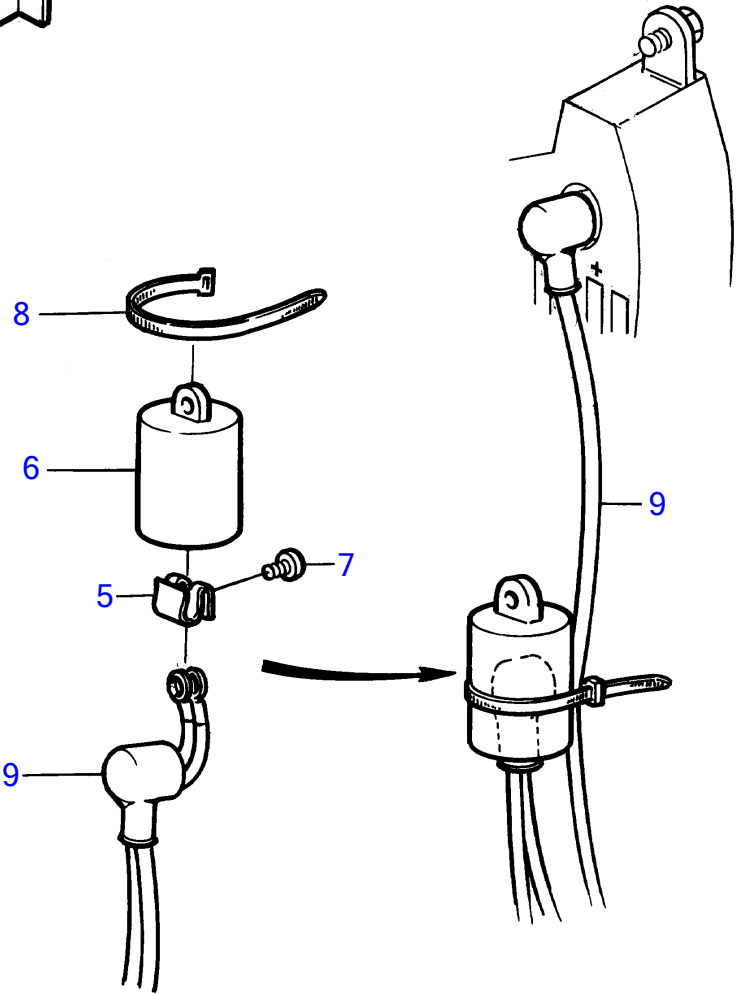
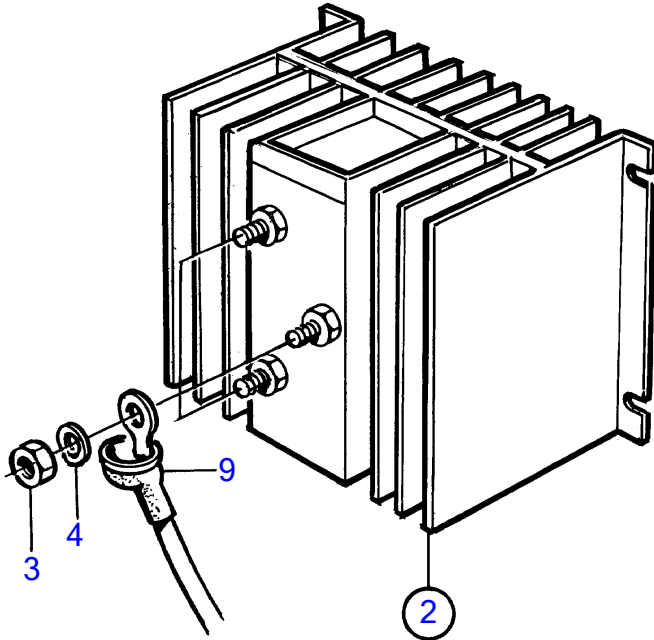


KAD42A, KAMD42A

1



KAD42A, KAMD42A

REF	PART NO.	QTY	DESCRIPTION	SEE SEC.	NOTES
1	873120	1	Junction block		For charging of 2 batteries., For alternators 12- 28V up to 60A.
			Bulletin 52-07	52-07-EN	Charging Distributor
			Bulletin 52-11	52-11-EN	Charging Distributor
2	872928	1	• Junction block		
3	955846	3	• • Hexagon nut		
4	941906	3	• • Spring washer		
5	859492	1	• Spring nut		
6	859493	1	• Protecting casing		
7	955126	1	• Cross recessed screw		
8	948210	1	• Cable tie		
9		X	cables and terminals		See group 3
		X	electrical materials		See group 3