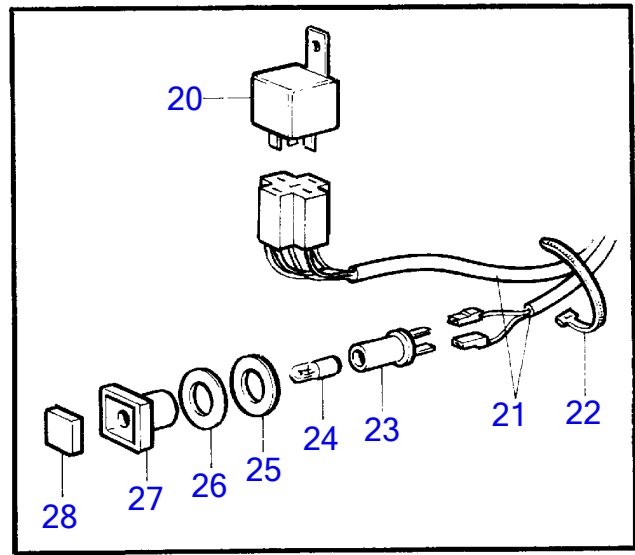
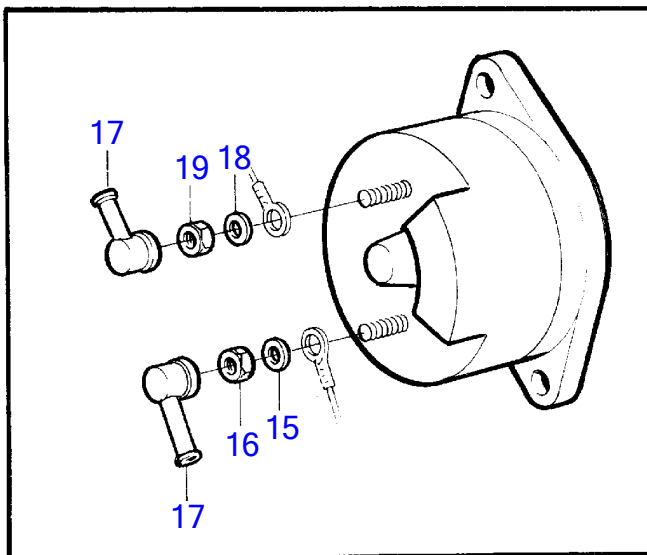
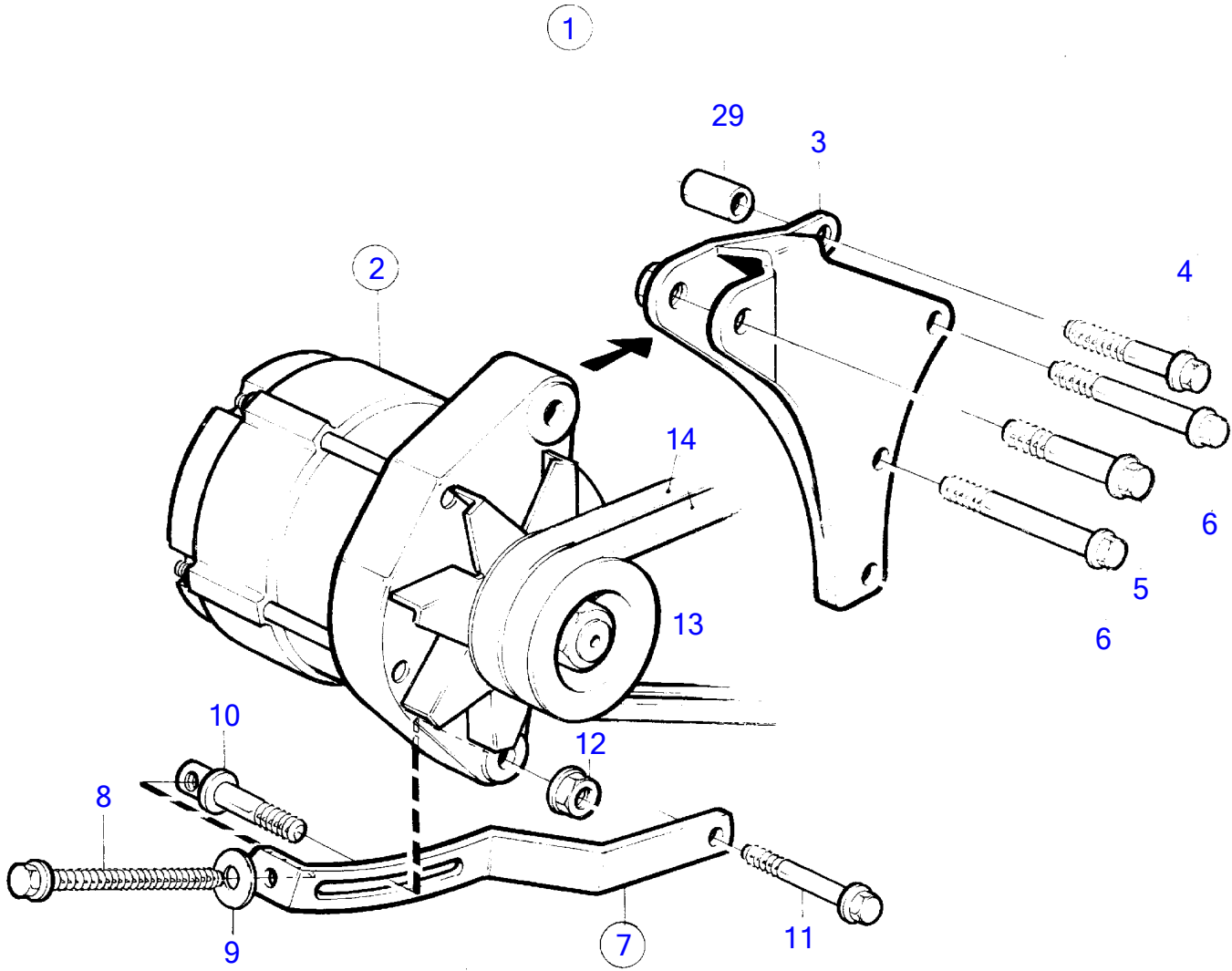


KAD42A, KAMD42A



KAD42A, KAMD42A

REF	PART NO.	QTY	DESCRIPTION	NOTES
1	(860705)	1	Mounting kit	Obsolete part
2	872018	1	• Alternator	For 12 voltage electric system., 12V 50A
			• • components	See group 3
3	860271	1	• Bracket	
4	965179	1	• Flange screw	L=50mm
5	955554	1	• Hexagon screw	L=76mm
6	965182	2	• Flange screw	L=85mm
7	(860835)	1	• Tensioning arm	Obsolete part
8	1346183	1	• • Screw	
9	955893	1	• • Washer	
10	1378955	1	• • Lock screw	
11	965183	1	• Flange screw	
12	968862	1	• Nut	
13	841812	1	• Pulley	
14	966978	1	• V-belt	
15	941906	1	• Spring washer	
16	945407	1	• Flange nut	
17	842150	2	• Protective cap	
18	941905	1	• Spring washer	
19	965483	1	• Flange nut	
20	853545	1	• Relay kit	
21	838542	1	• Cable trunk	
22	948210	X	• Cable tie	
23	808175	1	• Lamp socket	
24	19923	1	• Bulb	
25	967583	1	• Retainer	
26	829714	1	• Sealing ring	
27	838455	1	• Retainer	
28	838457	1	• Symbol strip	
29	843075	1	• Spacer sleeve	