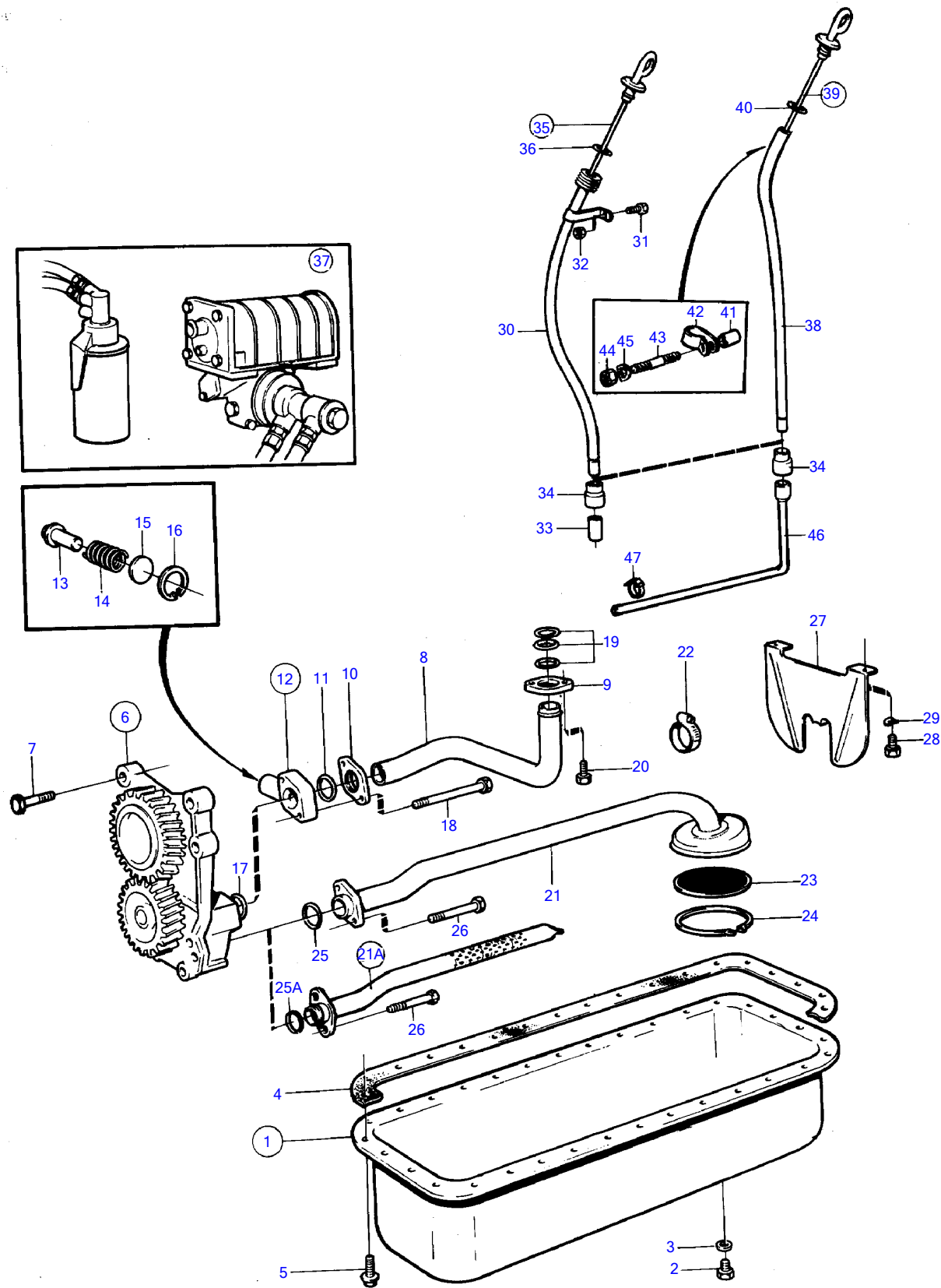


KAD42A, KAMD42A



KAD42A, KAMD42A

REF	PART NO.	QTY	DESCRIPTION	SEE SEC.	NOTES
1	861151	1	Sump		
2	948187	1	• Plug		Early type
3	18818	1	• Gasket		Early type
4	861251	1	Gasket		(860685)
5	946440	32	Flange screw		
6	860721	1	Oil pump		
			•	20688	
7	948217	4	Flange screw		
8	860821	1	Delivery pipe		
9	1542248	1	Flange		
10	1545272	1	Flange		
11	1545271	1	Sealing ring		
12	860790	1	Reduction valve		
			Bulletin 44-32	44-32-EN	Reduction Valve D31, 41, 42
			Bulletin 44-32A	44-32A-EN	Reduction Valve D31, 41, 42
13	471115	1	• Reduction valve		
14	1542257	1	• Spring		
15	948343	1	• Disc		
16	914506	1	• Snap ring		
17	469482	1	Sealing ring		
18	965184	2	Flange screw		
19	1542385	3	Sealing ring		
20	946173	2	Flange screw		
21	829491	1	Suction pipe		Early type
21A	861064	1	Suction pipe		Late type
22	943473	1	• Hose clamp		
23	403483	1	Wire gauze		
24	118123	1	Snap ring		
25	949657	1	O-ring		
25A	469483	2	Sealing ring		
26	965217	2	Flange screw		
27	829492	1	Baffle plate		For 829491
					Early type
	860999	1	Baffle plate		For 861064
					Late type
28	944926	2	Flange screw		
29	942385	2	Disc spring		
30	860522	1	Tube		Replaced by pipe 861100,oil dipstick 861087, clamp 946384,spacer sleeve 843028 and stud bolt 953007.
31	965175	1	Flange screw		
32	945407	1	Flange nut		
33	829579	1	Tube		
34	843533	1	Rubber cushion		
35	860621	1	Oil dipstick		Replaced by pipe 861100,oil dipstick 861087, clamp 946384,spacer sleeve 843028 and stud bolt 953007.
36	949187	1	• O-ring		
37		X	oil filter and installation components	20689	
38	861100	1	Tube		
39	861087	1	Dipstick		
40	960155	1	• O-ring		
41	843028	1	Spacer sleeve		
42	946834	1	Clamp		
43	953007	1	Stud		See group 2B
44	971095	1	Flange nut		See group 2B
45	941908	1	Spring washer		See group 2B
46	861083	1	Suction pipe		Combined oil bilge pipe and oil dipstick pipe., Late type
47	943469	1	Hose clamp		For 861083

7745930-21-20687

11141

Upd:2011-03-18