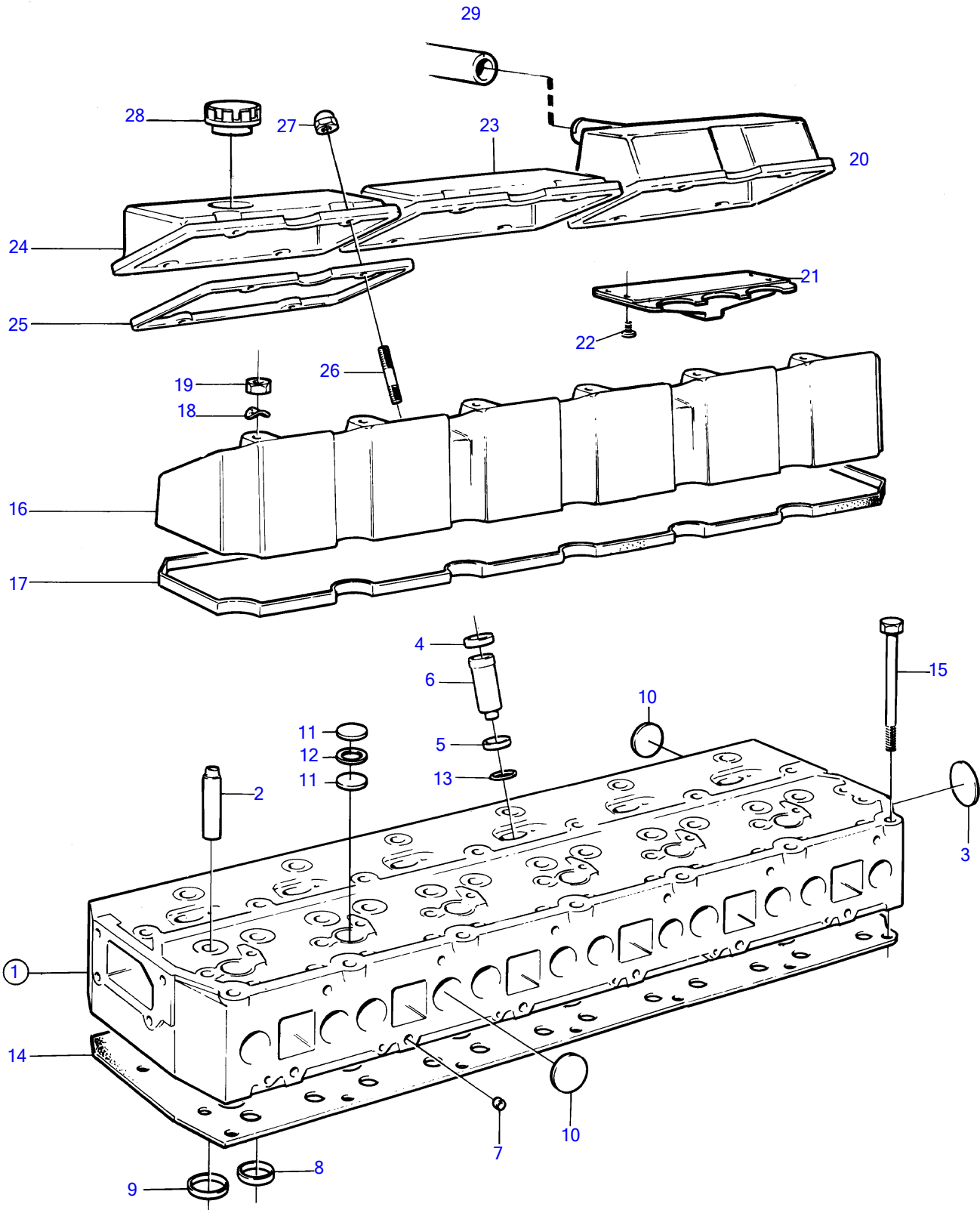


KAD42A, KAMD42A



10612

KAD42A, KAMD42A

REF	PART NO.	QTY	DESCRIPTION	SEE SEC.	NOTES
1	3803198	1	Cylinder head		(860596)
2	419653	12	• Valve guide		
3	968955	1	• Expansion plug		
4	838619	6	• Retainer		
5	838896	6	• Sealing ring		
6	838609	6	• Spray sleeve		SN-2204205411 Repl by 861255
	861255	6	• • Spray sleeve		SN2204205412-
7	967853	12	• • Cap plug		
8	858331	6	• • Valve seat, exhaust		Std D
	858332	6	• • Valve seat, exhaust		Over size0,20mm
9	860035	6	• • Valve seat, inlet		Std D
	860036	6	• • Valve seat, inlet		Over size0,20mm
10	477026	13	• • Expansion plug		
11	967948	12	• • Expansion plug		
12	949329	6	• • Gasket		
13	838821	6	• • O-ring		
14	858992	1	Gasket		
			• Bulletin 44-29A	44-29A-EN	Cylinder Head Gasket
15	838775	27	Screw		
16	838649	1	Valve cover		
17	838653	1	Gasket		
18	941907	4	Spring washer		Early type
19	945408	4	Flange nut		
20	860541	1	Valve cover		Replaced by 860542, 860601 & 977771
	860542	1	• Valve cover		
21	860601	1	• Insert		
22	977771	4	• Flange screw		
23	838650	1	Valve cover		
24	838651	1	Valve cover		
25	838654	3	Gasket		
26	953034	12	Stud		
27	968458	12	Flange cap nut		
28	3547599	1	Oil filler cap		
29	860680	1	Hose		