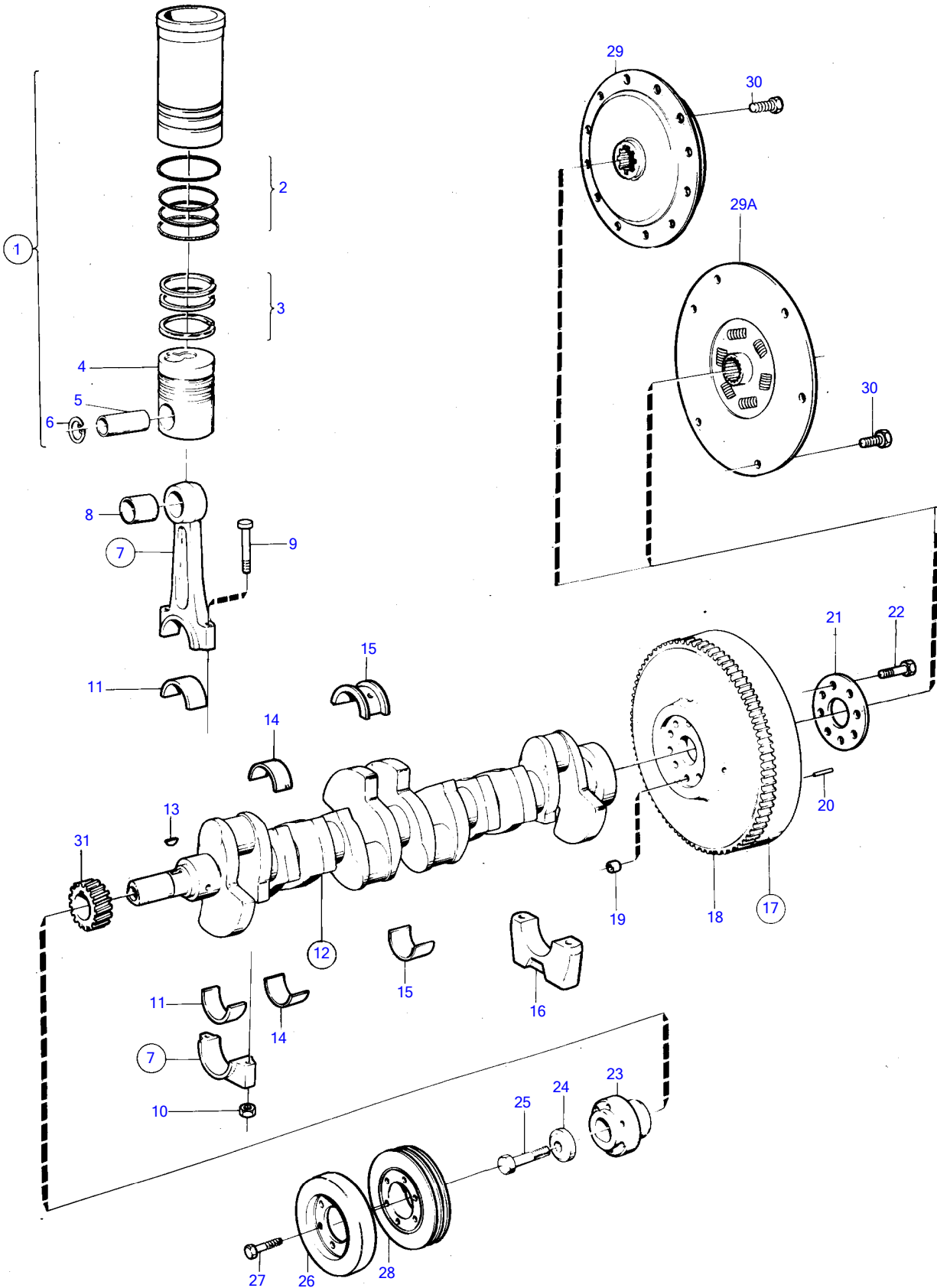


KAMD42A



KAMD42A

REF	PART NO.	QTY	DESCRIPTION	SEE SEC.	NOTES
1	876527	6	Cylinder liner kit		
			Bulletin 44-28C	44-28C-EN	Cylinder Liner Kits D31,41,42
2	275751	6	• Sealing ring kit		
3	876528	6	• Piston ring kit		
4		6	• piston		
5	422793	6	• Piston pin		
6	914519	12	• Snap ring		
7	1542072	6	Connecting rod		
8	1542076	6	• Bushing		
9	1542077	12	• Connecting rod bolt		
10	1542078	12	• Nut		
11	876511	6	Big-end bearing kit		Std D
	876512	6	Big-end bearing kit		Under size 0,25mm
	876513	6	Big-end bearing kit		Under size 0,50mm
	876514	6	Big-end bearing kit		Under size 0,75mm
12	860379	1	Crankshaft		
13	910118	1	• Woodruff key		
14	876515	6	Main bearing kit		Std D
	876516	6	Main bearing kit		Under size 0,25mm
	876517	6	Main bearing kit		Under size 0,50mm
	876518	6	Main bearing kit		Under size 0,75mm
15	876519	1	Thrust bearing		Std D
	876520	1	Thrust bearing		Over size0,10mm/under si
	876521	1	Thrust bearing		Over size0,20mm/under si
	876522	1	Thrust bearing		Over size0,20mm/under si
16		7	bearing cap	20683	
17	861172	1	Flywheel		MS5B
	860377	1	Flywheel		HS1A
18	829462	1	• Ring gear		
19	415311	1	• Guide sleeve		
21	1542093	1	Bolt plate		
22	1544147	8	Screw		
23	1542196	1	Hub		
24	420124	1	Washer		
25	1542149	1	Hexagon screw		
26	860944	1	Vibration damper		
27	965179	6	Flange screw		
28	859614	1	Pulley		
29	854753	1	Vibration damper		
30	946173	9	Flange screw		
31	1542305	1	Gear		