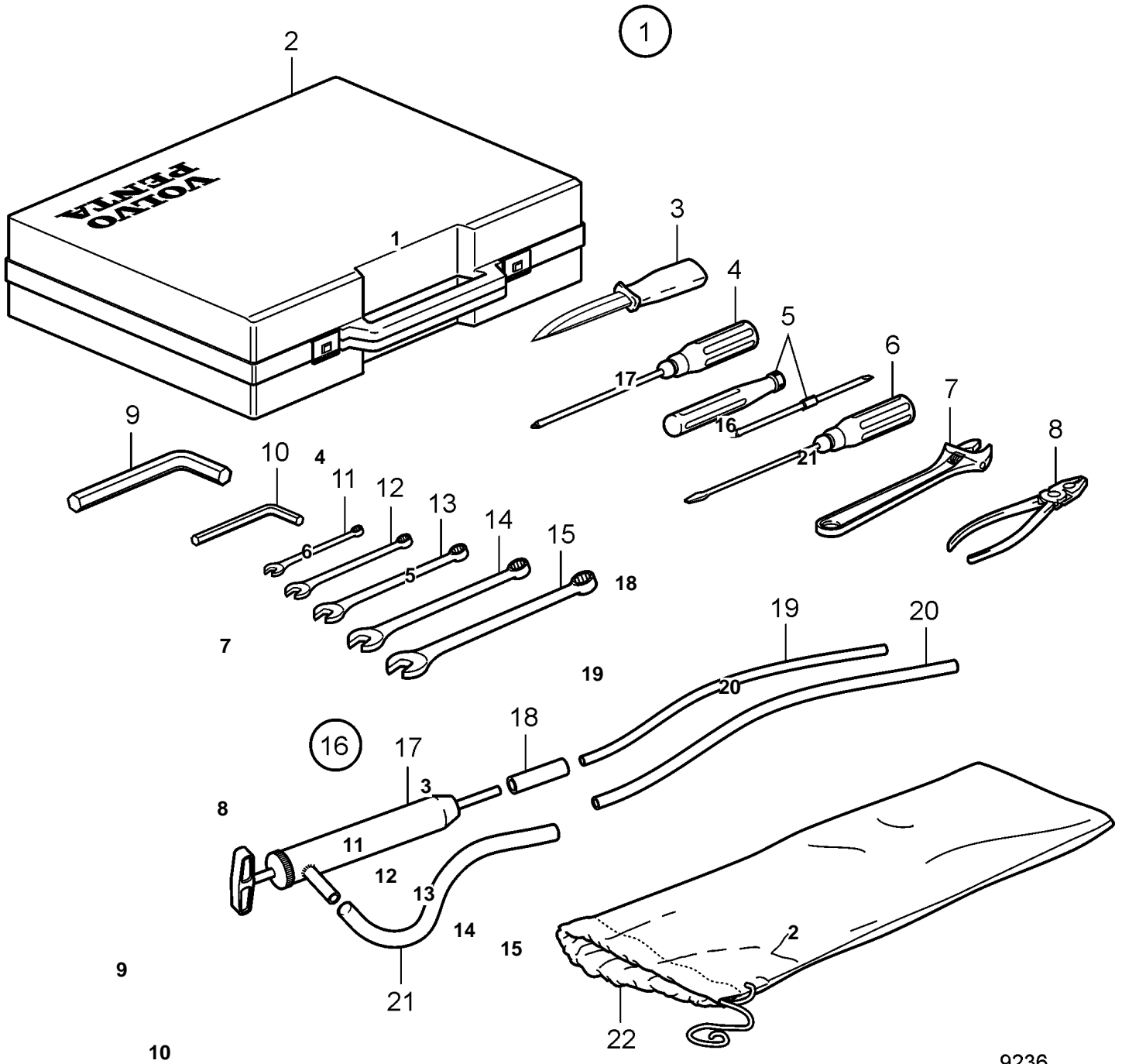


KAD32P-A, TAMD42WJ-A, KAMD43P-A, KAD43P-A, KAMD44P-A, KAD44P-A, KAMD44P-B, KAD44P-B, KAMD44P-C, KAD44P-C, KAMD300-A, KAD300-A



9236

KAD32P-A, TAMD42WJ-A, KAMD43P-A, KAD43P-A, KAMD44P-A, KAD44P-A, KAMD44P-B, KAD44P-B, KAMD44P-C, KAD44P-C, KAMD300-A, KAD300-A

REF	PART NO.	QTY	DESCRIPTION	NOTES
1	858282	1	Tool kit	
2	859370	1	· Tool bag	
3		1	· Sheath knife	
4		1	· Screwdriver	
5		1	· Screwdriver	
6	804771	1	· Screwdriver	
7	755	1	· Adjustable wrench	
8		1	· Combination pliers	
9		1	· Allen wrench	
10	914002	1	· Allen wrench	
11		1	· Tool	8mm
12		1	· Blocking key	10mm
13		1	· Blocking key	13mm
14		1	· Blocking key	17mm
15		1	· Blocking key	1/2"
16	875117	1	· Oil bilge pump	
17		1	· · Oil bilge pump	
18		1	· · Hose	
19	835964	1	· · Tube	L=711mm
20	841527	1	· · Plastic pipe	L=1000mm
21	806282	1	· · Hose	
22	844642	1	· · Tool bag	