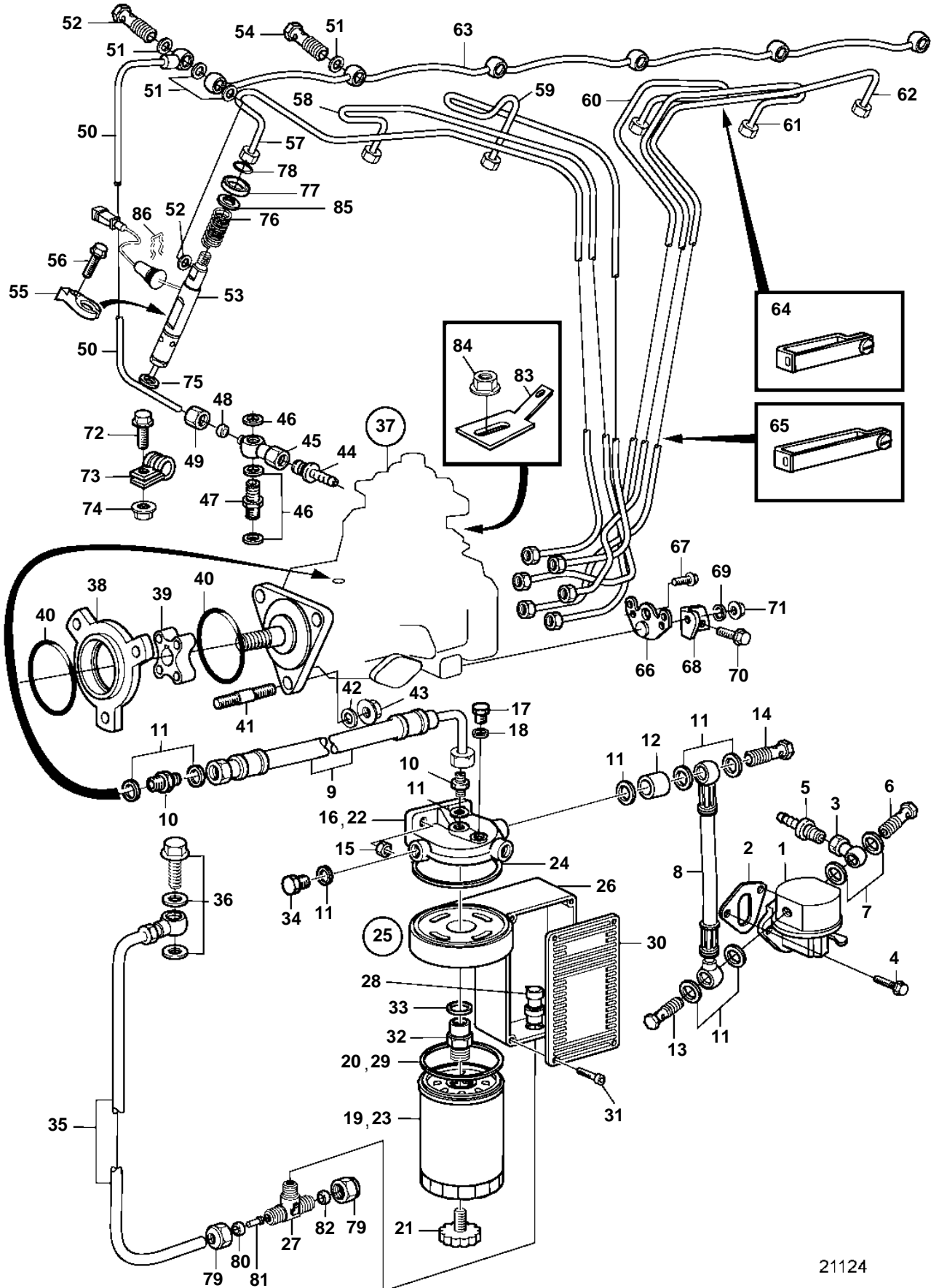


KAMD300-A, KAD300-A



21124

KAMD300-A, KAD300-A

REF	PART NO.	QTY	DESCRIPTION	SEE SEC.	NOTES
1	3582310	1	Feed pump		
2	3501530	1	Gasket		
3	861079	1	Nipple		
4	946173	1	Flange screw		L=20mm
	946470	1	Flange screw		L=35mm
5	3825000	1	Nipple		(834781)
6	969299	1	Hollow screw		
7	11994	2	Gasket		
8	3582708	1	Fuel hose		
9	3582707	1	Fuel hose		
10	190132	2	Nipple		
11	11994	8	Gasket		
12	3581717	1	Spacer sleeve		
13	969299	1	Hollow screw		
14	947975	1	Hollow screw		
15	971095	2	Nut		
16	3581542	1	Fuel filter		REPL BY 3588380
17	843956	1	• Plug		
18	25534	1	• Gasket		
19	860874	1	• Filter insert		REPL BY 3588378
20	3582285	1	• • Sealing ring		
21	838594	1	• • Plug		
22	3588380	1	Fuel filter		
				7765	
23	3588378	1	• Filter insert		REPL BY 3840335
	3840335	1	• Fuel filter		
24	6638088	1	• • Gasket		
25	3817825	1	Control unit		REPL BY 3819875
	3819875	1	Control unit	SO	
26	3818190	1	• Control unit		
27	946082	1	• Nipple		
28	881708	1	• Pressure sensor		
29	3582285	1	• Sealing ring		
30		1	• Lock		
31	969456	4	• 6 point socket screw		
32	3835801	1	Nipple		
33	955904	1	Washer		
34	960629	1	Plug		
35	3581375	1	Air hose		
36		1	Connector	2974	
37	3583207	1	Injection pump		
			Comps. not spec.		
38	3581393	1	Spacer flange		
39	859601	1	Hub		
40	968971	2	O-ring		
41	953053	3	Stud		
42	191172	3	Washer		
43	945408	3	Flange nut		
		1	Nut		
44	3825000	1	Nipple		(834781)
45	861080	1	Nipple		
46	11994	3	Gasket		
47		1	Nipple		Included in fuel injection pump.
48	956966	1	Ferrule		
49	956980	1	Nut		
50	861723	1	Oil return pipe		
51	11991	13	Seal		
52	990036	1	Hollow screw		(3580939)
53	3583073	5	Injector		
	3803540	5	Injector, exch		Exchange unit
			Comps. not spec.		
	3583074	1	Injector		
	3803541	1	Injector, exch		Exchange unit

KAMD300-A, KAD300-A

REF	PART NO.	QTY	DESCRIPTION	SEE SEC.	NOTES
53			Comps. not spec.		
54	243487	5	Screw		
55	3581376	6	Yoke		
56	946470	6	Flange screw		
57	3583128	1	Delivery pipe		CYL NO 1
58	3583129	1	Delivery pipe		CYL NO 2
59	3583130	1	Delivery pipe		CYL NO 3
60	3583131	1	Delivery pipe		CYL NO 4
61	3583132	1	Delivery pipe		CYL NO 5
62	3583133	1	Delivery pipe		CYL NO 6
63	861722	1	Leak-off line		
64	8194327	4	Clamp		2-PIPE
65	3582372	2	Clamp		6-PIPE
	8194331	2	Clamp		6-PIPE
66	3583982	1	Bracket		(3581394)
67	947542	3	Screw		
68	3583981	1	Bracket		(3581374)
69	191172	1	Washer		
70	946440	2	Flange screw		
71	948645	1	Lock nut		
72	946544	1	Flange screw		
73	121563	1	Clamp		
74	945407	1	Flange nut		
75	976018	6	O-ring		
76	3580933	5	Spring		FOR 861725
	3581778	1	Spring		FOR 3581642
	3581947	1	Lock spring		
77	3580934	5	Washer		FOR 861725
	3581958	1	Washer		FOR 3581642
78	944988	6	O-ring		
79	954356	2	Cap nut		
80	954364	1	Fitting		
81	944717	1	Sleeve		
82	943006	1	Plug		
83	944485	1	Spade terminal		
84	965483	1	Nut		
85	982122	1	Washer		
86	3581947	1	Lock spring		