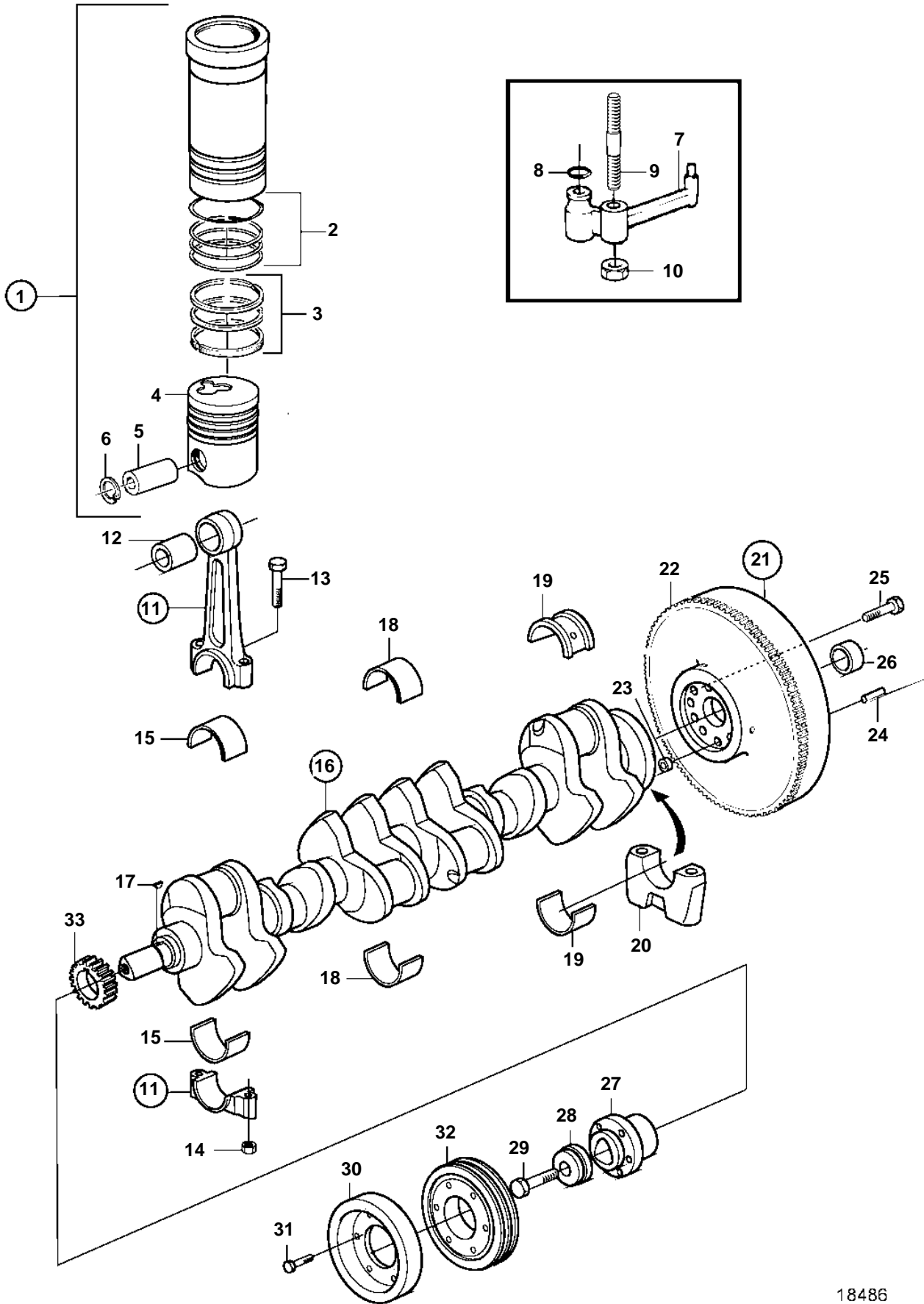


KAMD44P-A, KAD44P-A, KAMD44P-B, KAD44P-B, KAMD44P-C, KAD44P-C



18486

KAMD44P-A, KAD44P-A, KAMD44P-B, KAD44P-B, KAMD44P-C, KAD44P-C

REF	PART NO.	QTY	DESCRIPTION	SEE SEC.	NOTES
1	3817861	6	Cylinder liner kit	3434	(3586722)
2	275751	6	· Sealing ring kit		
3		6	· Compression ring		
4		6	· Piston		
5	422793	6	· Piston pin		
6	914519	12	· Lock ring		
7	1542320	6	· Oil jet		
8	955981	6	· O-ring		
9	1542380	6	Stud		
10	946035	6	Lock nut		
11	3581063	6	Connecting rod		
12	3581021	6	· Bushing		
13	1542077	12	· Connecting rod bolt		
14	1542078	12	· Nut		
15	876511	6	Big end bearing kit		STD
	876512	6	Big end bearing kit		U.S=0,25mm
	876513	6	Big end bearing kit		U.S=0,50mm
	876514	6	Big end bearing kit		U.S=0,75mm
16	3582850	1	Crankshaft		(860379)
17	910118	1	· Woodruff key		
18	876515	6	Main bearing kit		STD
	876516	6	Main bearing kit		U.S=0,25mm
	876517	6	Main bearing kit		U.S=0,50mm
	876518	6	Main bearing kit		U.S=0,75mm
19	876519	1	Thrust bearing		STD
	876520	1	Thrust bearing		O.S=0,10mm/U.S=0,25mm
	876521	1	Thrust bearing		O.S=0,20mm/U.S=0,50mm
	876522	1	Thrust bearing		O.S=0,20mm/U.S=0,75mm
20		7	Main bearing cap		
21	3582705	1	Flywheel		Replace earlier flywheel.
22	829462	1	· Gear ring		
23	415311	1	· Sleeve		
24	191873	3	· Locating pin		
25	861671	1	Screw kit		The kit includes 8 pcs screw.. Shall not be used together with bolt plate 1542093.
26	872761	1	Bushing		
27	1542196	1	Hub		
28	420124	1	Washer		
29	470366	1	Screw		(1542149)
30	877409	1	Damper kit		(860944)
31	983745	6	Screw		
32	3580970	1	Pulley		
33		1	Gear	3403	