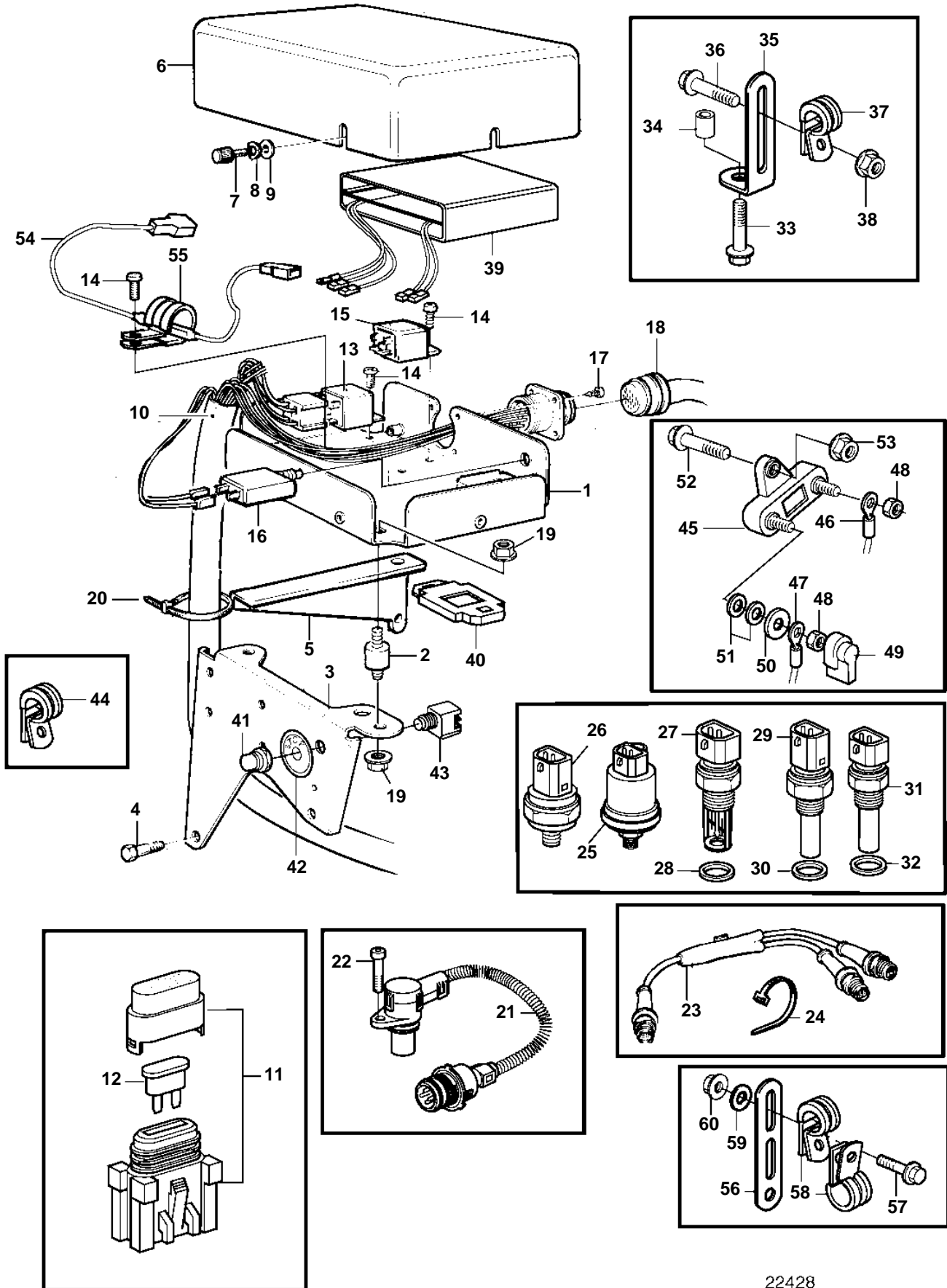


KAMD44P-C, KAD44P-C, KAMD300-A, KAD300-A



22428

KAMD44P-C, KAD44P-C, KAMD300-A, KAD300-A

REF	PART NO.	QTY	DESCRIPTION	NOTES
1	3581402	1	Bracket	
2	1348141	3	Absorber	
3	3581530	1	Bracket	
4	947760	1	Flange screw	L=40mm
	948217	1	Flange screw	L=45mm
5	3581444	1	Bracket	
6	860779	1	Cover	
7	846736	3	Lock screw	
8	941904	3	Spring washer	
9	960137	3	Washer	
10	874182	1	Wiring harness	
11	873852	2	· Fuse holder	Spare part design.
		2	· · Fuse	5A. Shall not be used.
12	980555	2	· Fuse	7.5A
13	873740	1	Relay	
14	968476	5	Flange screw	
15	1324492	3	Relay	
16	966689	3	Fuse	8A
17	955119	4	Screw	
18	846648	X	Extension cable	L=3,0m
	846649	X	Extension cable	L=5,0m
	846650	X	Extension cable	L=7,0m
	873838	X	Extension cable	L=9,0m
	873839	X	Extension cable	L=11,0m
19	945407	6	Flange nut	
20	948211	X	Strip clamp	
21	3944124	1	Sender, rpm	
22	963684	1	Screw	
23	1140598	1	Y-koppling	For double steering positions.
24	948211	3	Strip clamp	
25	866835	1	Pressure sensor, oil-engine	0-10bar
	866836	1	Pressure sensor, oil-engine	ALT,0-10bar. For double steering positions.
26	863169	1	Pressure monitor, oil-pressure	0,7bar
27	8141474	1	Temperature sensor, air inlet	
28	11998	1	Gasket	
29	862154	1	Temperature sensor, coolant water	120°C
	862567	1	Temperature sensor, coolant water	ALT. For double steering positions.
30	11998	1	Gasket	
31	1624368	1	Temperature sensor, coolant water	EDC
32	11996	1	Gasket	
33	946671	1	Flange screw	
34	843075	1	Sleeve	
35	965558	2	Bracket	
36	946544	2	Flange screw	
37	952635	2	Clamp	
38	945407	2	Flange nut	
39	874184	1	Converter	
40	873944	1	Retainer	
41	828586	1	Nut	
42	3581933	1	Decal	
43	828584	1	Switch	
44	949746	1	Clamp, alternator	(946834)
45	856355	1	Fuse	
46		1	Cable kit	POWER TRIM
47		1	Cable kit	POWER TRIM SEE GROUP 44
48	955781	2	Nut	
49	1234326	1	Protective cap	
50	960140	1	Washer	
51	955893	2	Washer	
52	946934	1	Flange screw	
53	945407	1	Flange nut	
54	873828	1	Resistor	

