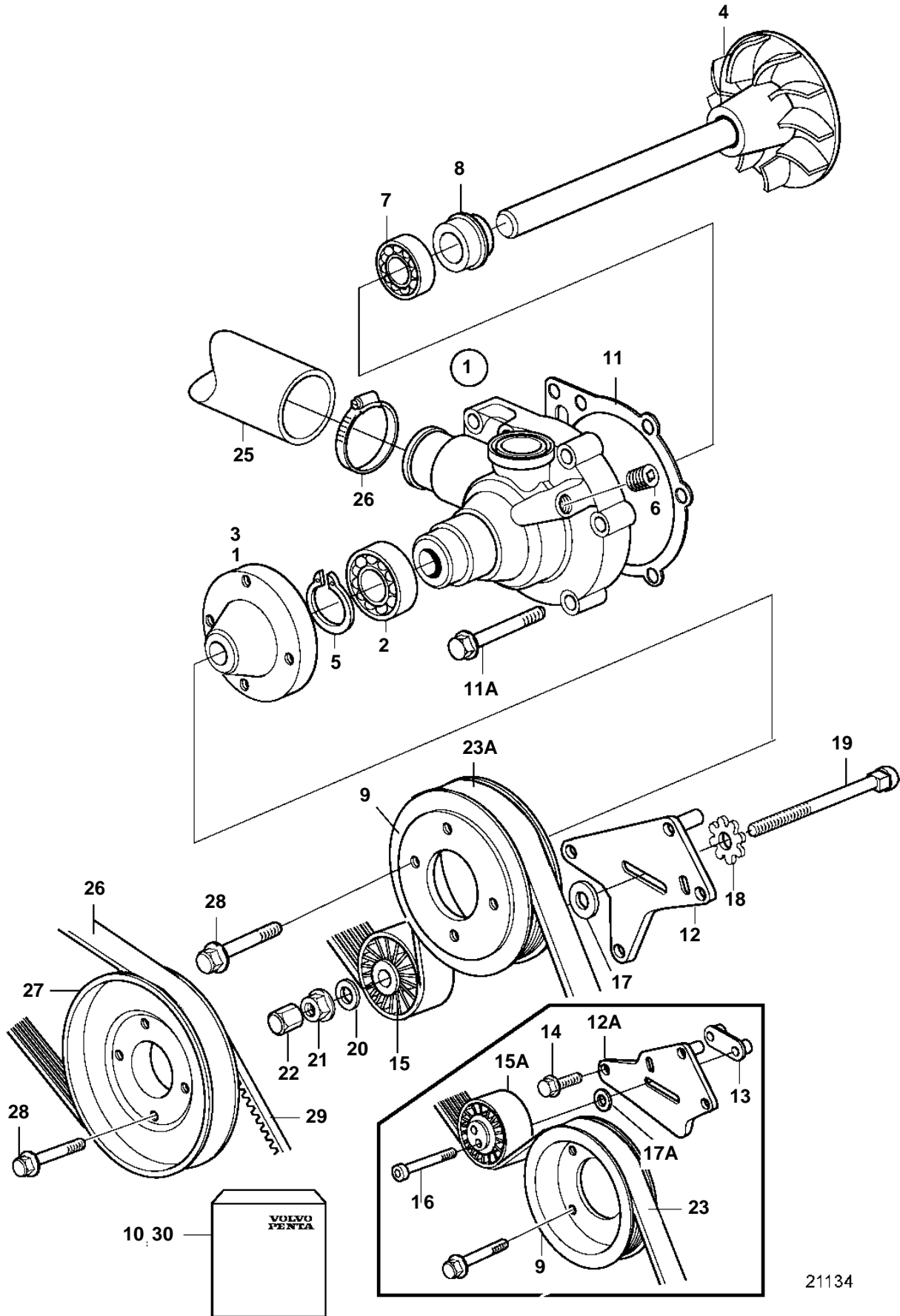


KAD32P-A



21134

KAD32P-A

REF	PART NO.	QTY	DESCRIPTION	SEE SEC.	NOTES
1	3580785	1	Circulation pump		Replaced by 1 pc 3809412, coolant pump, 1 pc 3588385, pulley and 4 pcs 947760, flange screw.
	3809412	1	Circulation pump		Replaced by 1pc coolant pump 3809412, 1pc pulley 3588385 and 4pcs flange screw 947760.
	3803869	1	Circ. pump, exch		Exchange unit
2	184861	1	• Ball bearing		Included in overhaul kit.
3	3588402	1	• Hub		
4	3583087	1	• Impeller, with shaft		Included in overhaul kit.
5	914462	1	• Lock ring		Included in overhaul kit.
6	479977	1	• Plug		
7	1660609	1	• Ball bearing		Included in overhaul kit.
8	1676432	1	• Sealing ring		Included in overhaul kit.
9	861541	1	Pulley		EARLY TYPE. For multi-V-belt.
	3588385	1	Pulley		LATE TYPE. For multi-V-belt.
10	876793	1	Repair kit	3434	
11	859027	1	Gasket		Included in overhaul kit.
11A	947760	6	Flange screw		
12	3582167	1	Bracket		Included in service kit.
15	3582324	1	Tension pulley		Included in service kit.
17	3582189	1	Spacer		Included in service kit.
18	3582168	1	Gear		Included in service kit.
19	982331	1	Square neck screw		Included in service kit.
20	976945	1	Washer		(960148). Included in service kit.
21	971095	1	Nut		Included in service kit.
22	3582677	1	Nut		Included in service kit.
23A	861564	1	Drive belt		
24	3581470	1	Hose		Circulation pump-heat exchanger.
25	943478	1	Clamp		
26	3581460	1	Drive belt		
27	3581472	1	Pulley		
28	947760	4	Flange screw		
29	977542	1	V-belt		
30	877180	1	Service kit	3434	
			Bulletin 44-48	44-48-EN	Belt tensioner Upgrade Kit for D32, 42WJ, 42, 42, 44