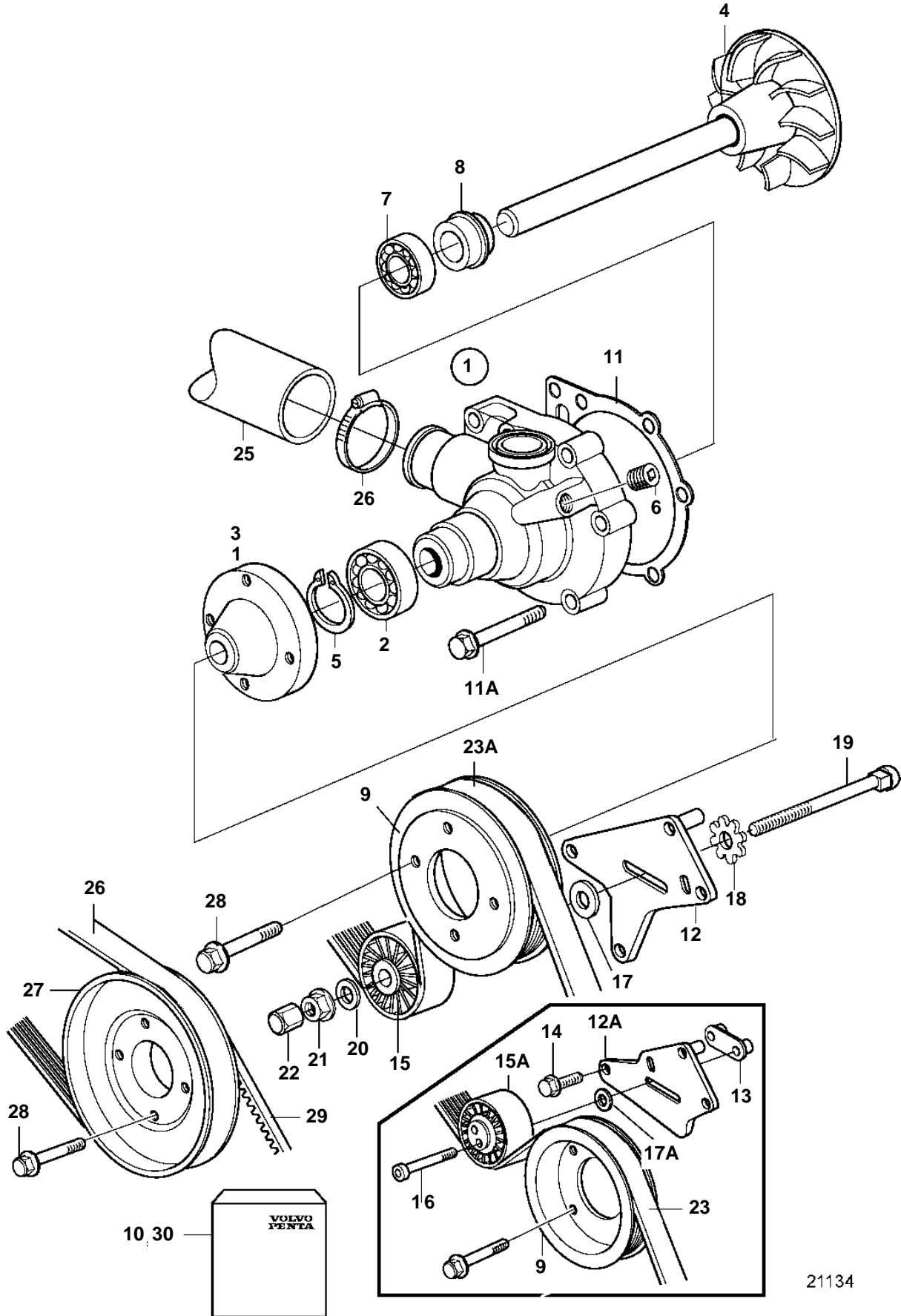


KAD32P-A



21134

KAD32P-A

REF	PART NO.	QTY	DESCRIPTION	SEE SEC.	NOTES
1	3580785	1	Circulation pump		Replaced by 1 pc 3809412, coolant pump, 1 pc 3588385, pulley and 4 pcs 947760, flange screw.
	3809412	1	Circulation pump		Replaced by 1pc coolant pump 3809412, 1pc pulley 3588385 and 4pcs flsnge screw 947760.
	3803869	1	Circ. pump, exch		Exchange unit
2	184861	1	· Ball bearing		Included in overhaul kit.
3	3588402	1	· Hub		
4	3583087	1	· Impeller, with shaft		Included in overhaul kit.
5	914462	1	· Lock ring		Included in overhaul kit.
6	479977	1	· Plug		
7	1660609	1	· Ball bearing		Included in overhaul kit.
8	1676432	1	· Sealing ring		Included in overhaul kit.
9	861541	1	Pulley		EARLY TYPE. For multi-V-belt.
	3588385	1	Pulley		LATE TYPE. For multi-V-belt.
10	876793	1	Repair kit	3434	
11	859027	1	Gasket		Included in overhaul kit.
11A	947760	6	Flange screw		
12A	861560	1	Bracket		Replaced by 877180.
13	861652	1	Lock washer		Replaced by 877180.
14	946441	1	Screw		Replaced by 877180.
15A	861563	1	Tension pulley		Replaced by 877180.
16	959245	1	Screw		Replaced by 877180.
17A	960144	1	Washer		Replaced by 877180.
23	861564	1	Drive belt		
24	3581470	1	Hose		Circulation pump-heat exchanger.
25	943478	1	Clamp		
26	3581460	1	Drive belt		
27	3581472	1	Pulley		
28	947760	4	Flange screw		
29	977542	1	V-belt		