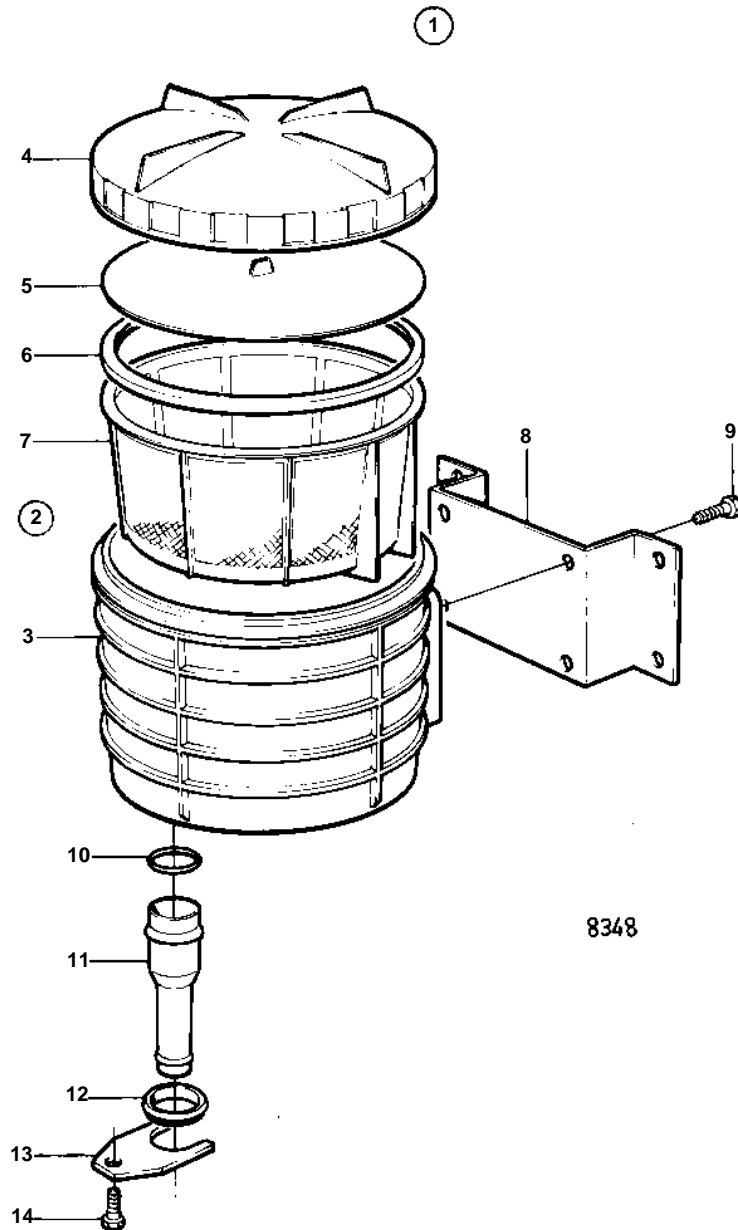


KAD32P-A, TAM42WJ-A, KAMD43P-A, KAD43P-A, KAMD44P-A, KAD44P-A, KAMD44P-B, KAD44P-B, KAMD44P-C, KAD44P-C, KAMD300-A, KAD300-A



KAD32P-A, TAMD42WJ-A, KAMD43P-A, KAD43P-A, KAMD44P-A, KAD44P-A, KAMD44P-B, KAD44P-B, KAMD44P-C, KAD44P-C, KAMD300-A, KAD300-A

REF	PART NO.	QTY	DESCRIPTION	NOTES
1	858843	1	Seawater sieve kit	D=32mm
2	845337	1	· Strainer	
3	845338	1	· · Strainer housing	
4	845317	1	· · Cover	
5	845328	1	· · Pressure plate	
6	838977	1	· · Rubber seal	
7	858081	1	· · Strainer	
8	845960	1	· Bracket	
9	940199	4	· Screw	
10	845354	2	· Sealing ring	
11	847106	1	· Hose connection	L=80mm
	838582	1	· Hose connection	L=125mm
12	847017	2	· Retainer	
13	847018	2	· Brace	
14	940199	2	· Screw	