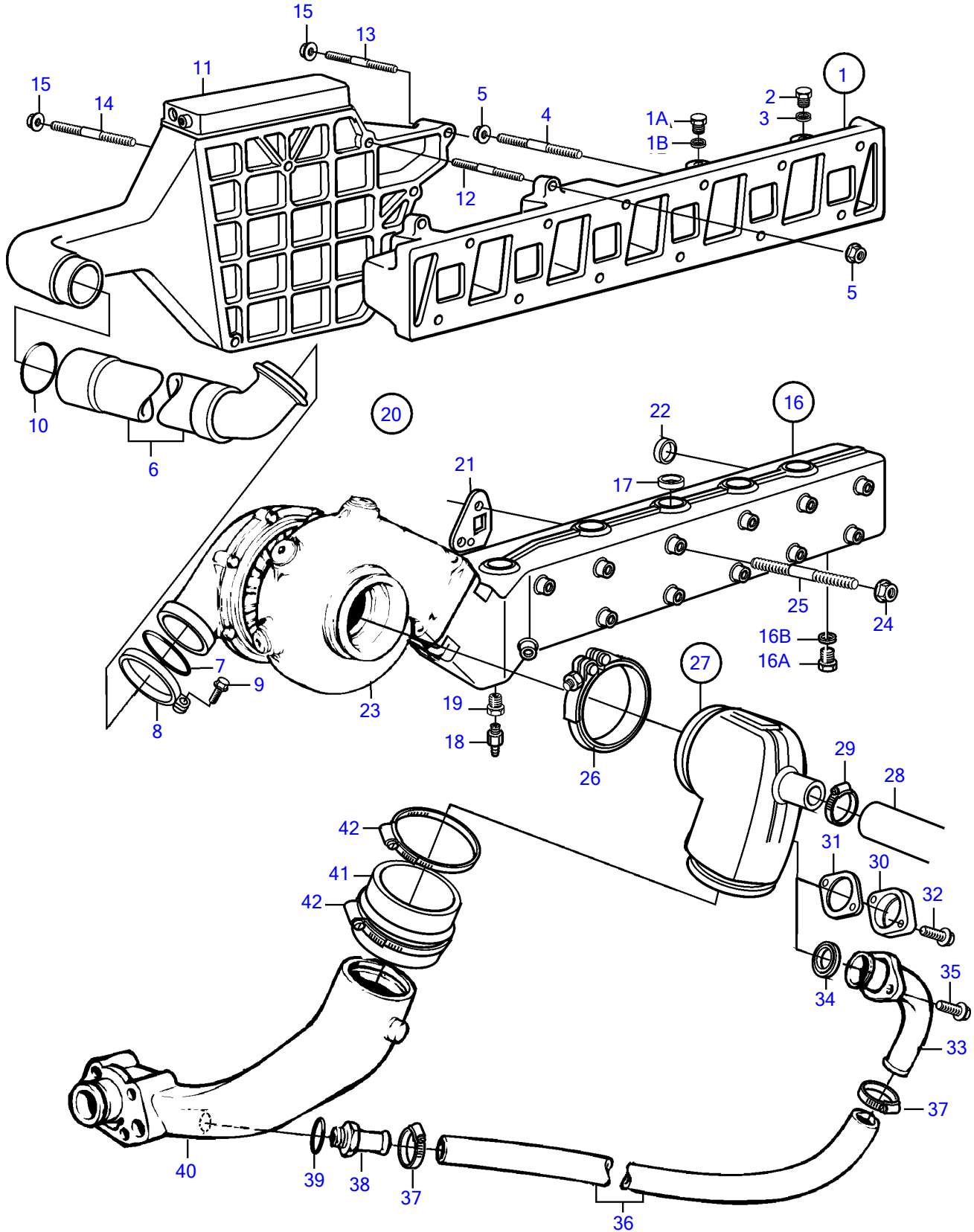


KAD43P-A



KAD43P-A

REF	PART NO.	QTY	DESCRIPTION	SEE SEC.	NOTES
1	859300	1	Inlet pipe		
1A	960634	4	• Plug		
1B	947627	4	• Gasket		
2	960631	1	Plug		
3	11996	1	Gasket		
4	980226	8	Stud		L=50mm
	980227	2	Stud		L=110mm
5	945408	10	Flange nut		
6	838693	1	Connection pipe		
7	967944	1	O-ring		
8	838864	1	V-band clamp		
9	947542	1	Flange screw		
10	864723	1	Sealing ring		
11		1	Intercooler		
12	953049	2	Stud		L=50mm
13	980227	1	Stud		L=110mm
14	981440	1	Stud		L=185mm
15	945408	4	Flange nut		
16	877067	1	Exhaust pipe		Replaced by 3581406
	3581406	1	• Exhaust pipe		
16A	960632	1	• Plug		For engines with temp. sensor mounted on thermostat housing., M18x12
16	960631	1	• Plug		M16x12
16B	11998	1	• Gasket		18x22
16	11996	1	• Gasket		16x22
17	946780	11	• Cap plug		
18	949918	1	Shut-off cock		
19	861551	1	Plug		
20	876144	3	Gasket kit		
21	838673	2	• Gasket		Repl by 876144
22	838766	1	Sealing ring		
23		1	Turbo		
24	971095	12	Flange nut		
25	953002	5	Stud		L=125mm
	953003	2	Stud		L=130mm
	953005	2	Stud		L=140mm
	17378	1	Stud		L=170mm
26	842993	1	V-band clamp		
27	861289	1	Exhaust riser		D=38mm
28	3581066	1	Hose		Heat exchanger-exhaust riser.
29	943477	1	Hose clamp		For 861289
33	844258	1	Coolant pipe		
34	842913	1	Sealing ring		
35	946544	2	Flange screw		
36	944386	X	Rubber hose		L=720mm
37	943475	2	Hose clamp		
38	873221	1	Nipple		
39	958228	1	O-ring		
40		1	Exhaust riser	1886	
41	860396	1	Exhaust hose		
42	982694	4	Hose clamp		(981239)