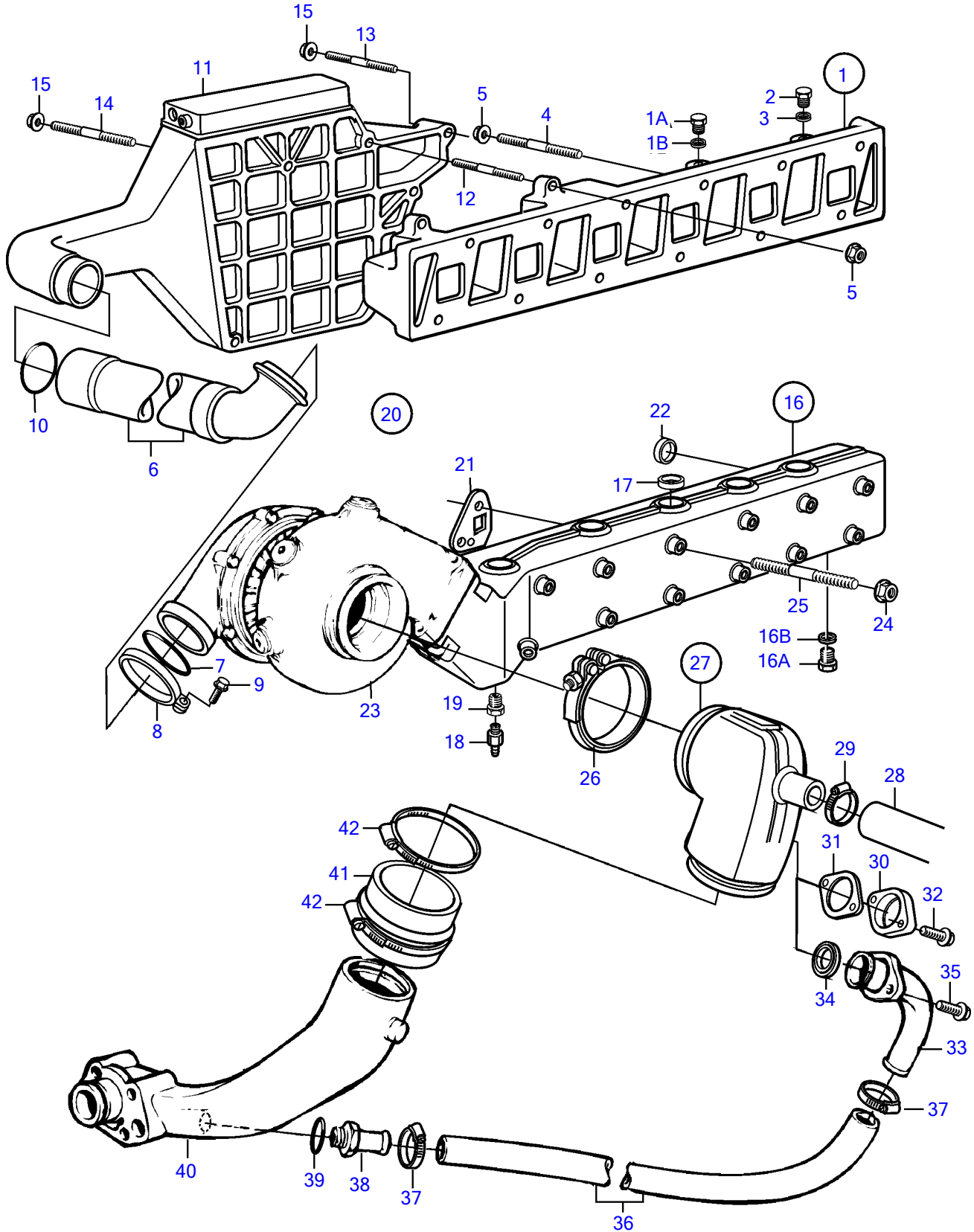


TAMD42WJ-A



TAMD42WJ-A

REF	PART NO.	QTY	DESCRIPTION	NOTES
1	859300	1	Inlet pipe	
1A	960634	4	• Plug	
1B	947627	4	• Gasket	
2	960632	1	Plug	
	960631	1	Plug	
3	947624	1	Gasket	
	11996	1	Gasket	
4	980226	8	Stud	L=50mm
	980227	2	Stud	L=110mm
5	945408	10	Flange nut	
6	838693	1	Connection pipe	
7	967944	1	O-ring	
8	838864	1	V-band clamp	
9	947542	1	Flange screw	
10	864723	1	Sealing ring	
11		1	Intercooler	
12	953049	2	Stud	L=50mm
13	980227	1	Stud	L=110mm
14	981440	1	Stud	L=185mm
15	945408	4	Flange nut	
16	877067	1	Exhaust pipe	Replaced by 3581406
	3581406	1	• Exhaust pipe	
16A	960632	1	• Plug	For engines with temp. sensor mounted on thermostat housing., M18x12
16	960631	1	• Plug	M16x12
16B	11998	1	• Gasket	18x22
16	11996	1	• Gasket	16x22
17	946780	11	• Cap plug	
18	949918	1	Shut-off cock	Late type
19	861551	1	Plug	Early type
20	876144	3	Gasket kit	
21	838673	2	• Gasket	Repl by 876144
22	838766	1	Sealing ring	
23		1	Turbo	
24	971095	12	Flange nut	
25	953001	8	Stud	L=120mm
	953002	2	Stud	For earlier version of expansion tank., L=125mm
	953002	1	Stud	For later version of expansion tank., L=125mm
	953003	1	Stud	For earlier version of expansion tank., L=130mm
	953003	1	Stud	For later version of expansion tank., L=130mm
	953005	1	Stud	For later version of expansion tank., L=140mm
	953007	1	Stud	For earlier version of expansion tank., L=150mm
	980835	1	Stud	For later version of expansion tank., L=155mm
26	842993	1	V-band clamp	
27	860656	1	Riser	D=32mm, repl by 861289
	861289	1	Exhaust riser	D=38mm
28	860828	1	Hose	
	3581065	1	Hose	
29	943476	1	Hose clamp	For 860656
	943477	1	Hose clamp	For 861289
30	844093	1	Flange	
31	859002	1	Gasket	
32	946544	2	Flange screw	