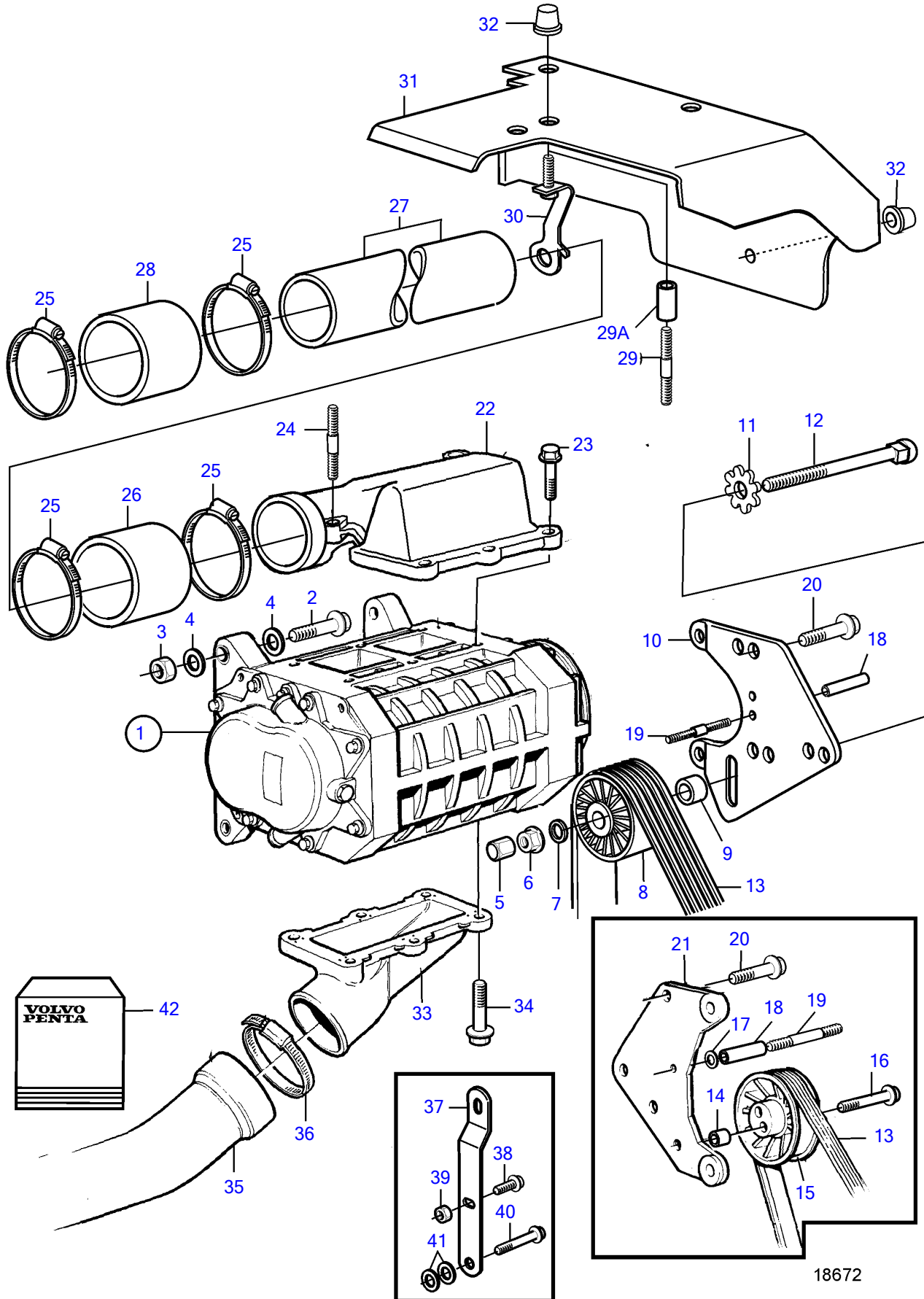


KAD32P-A



KAD32P-A

REF	PART NO.	QTY	DESCRIPTION	SEE SEC.	NOTES
1				4853	
	3581061	1	Compressor		SN2203202198- (860360)
	3803263	1	Compressor, exch, exch		SN2203202198- (860360)
				4853	
2	965186	4	Flange screw		L=50mm
3	971098	4	Flange lock nut		
4	960142	6	Washer		
5	3582677	1	Nut		Included in service kit.
6	971095	1	Flange nut		Included in service kit.
7	976945	1	Washer		Included in service kit.
8	3582324	1	Tension pulley		Included in service kit.
9	3582190	1	Spacer		Included in service kit.
10	3582166	1	Bracket		Included in service kit.
11	3582168	1	Gear		Included in service kit.
12	982331	1	Square neck screw		Included in service kit.
13	3581460	1	Drive belt		
18	3582517	1	Tube		
19	968975	1	Stud		
20	946329	3	Flange screw		
22	3581452	1	Connection pipe		
23	948356	5	Flange screw		L=20mm
24	953031	2	Stud		
25	961674	4	Hose clamp		
26	3581453	1	Hose		
27	3581456	1	Muffler		
28	3581455	1	Hose		
30	3582492	1	Bracket		Included in service kit.
31	3581461	1	Belt protector		
32	861019	4	Lock plug		
33	860400	1	Connection pipe		
34	946934	1	Flange screw		L=20mm
	947542	4	Flange screw		L=25mm
	965212	1	Flange screw		L=35mm
35	3581454	1	Muffler		
36	872531	1	Hose clamp		
37	3581464	1	Bracket		
38	945444	1	Flange screw		
39	945408	1	Flange nut		
40	965183	1	Flange screw		
41	191172	2	Washer		
42	877180	1	Service kit		
			Bulletin 44-48	44-48-EN	Belt tensioner Upgrade Kit for D32, 42WJ, 42, 42, 44

7738870-25-3043B

18672

Upd:2012-02-13