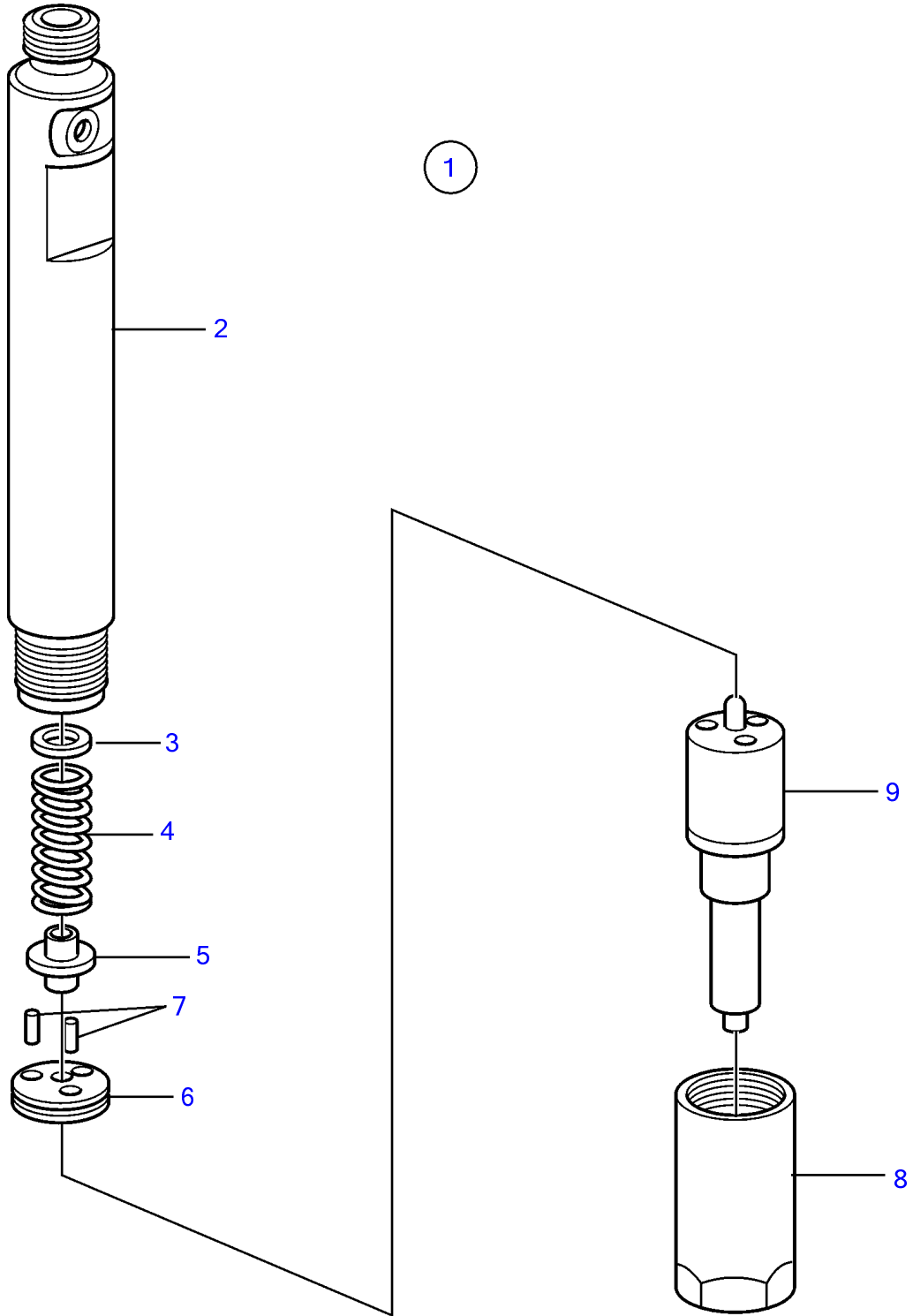


TAMD42WJ-A, KAD43P-A, KAMD43P-A



TAMD42WJ-A, KAD43P-A, KAMD43P-A

| REF | PART NO. | QTY | DESCRIPTION | NOTES |
|-----|----------|-----|------------------------|-----------|
| 1 | 861103 | 1 | Injector | |
| | 3803238 | 1 | Injector, exch | |
| 2 | | 1 | • Nozzle retainer | |
| 3 | 243467 | X | • • Adjusting washer | TH=1,00mm |
| | 243468 | X | • • Adjusting washer | TH=1,05mm |
| | 11705718 | X | • • Shim | TH=1,08mm |
| | 243469 | X | • • Adjusting washer | TH=1,10mm |
| | 243470 | X | • • Adjusting washer | TH=1,15mm |
| | 11705722 | X | • • Shim | TH=1,20mm |
| | 3830388 | X | • • Spacer | TH=1,24mm |
| | 11705724 | X | • • Shim | TH=1,28mm |
| | 11705725 | X | • • Adjusting washer | TH=1,30mm |
| | 11705726 | X | • • Shim | TH=1,35mm |
| | 243475 | X | • • Adjusting washer | TH=1,40mm |
| | 243476 | X | • • Adjusting washer | TH=1,45mm |
| | 6885727 | X | • • Shim | TH=1,48mm |
| | 11705731 | X | • • Adjusting washer | TH=1,50mm |
| | 243478 | X | • • Adjusting washer | TH=1,55mm |
| | 11705734 | X | • • Adjusting washer | TH=1,60mm |
| | 243480 | X | • • Adjusting washer | TH=1,65mm |
| | 6885730 | X | • • Shim | TH=1,68mm |
| | 11705737 | X | • • Adjusting washer | TH=1,70mm |
| | 243482 | X | • • Adjusting washer | TH=1,75mm |
| | 11705740 | X | • • Shim | TH=1,80mm |
| | 6885739 | X | • • Shim | TH=1,84mm |
| | 6885740 | X | • • Shim | TH=1,88mm |
| | 243485 | X | • • Adjusting washer | TH=1,90mm |
| | 243486 | X | • • Adjusting washer | TH=1,95mm |
| 4 | 6885720 | 1 | • • Compression spring | |
| 5 | | 1 | • • Pressure bolt | |
| 6 | | 1 | • • Washer | |
| 7 | 244907 | 2 | • • Locating pin | |
| 8 | 243489 | 1 | • • Nut | |
| 9 | 861117 | 1 | • Nozzle | |