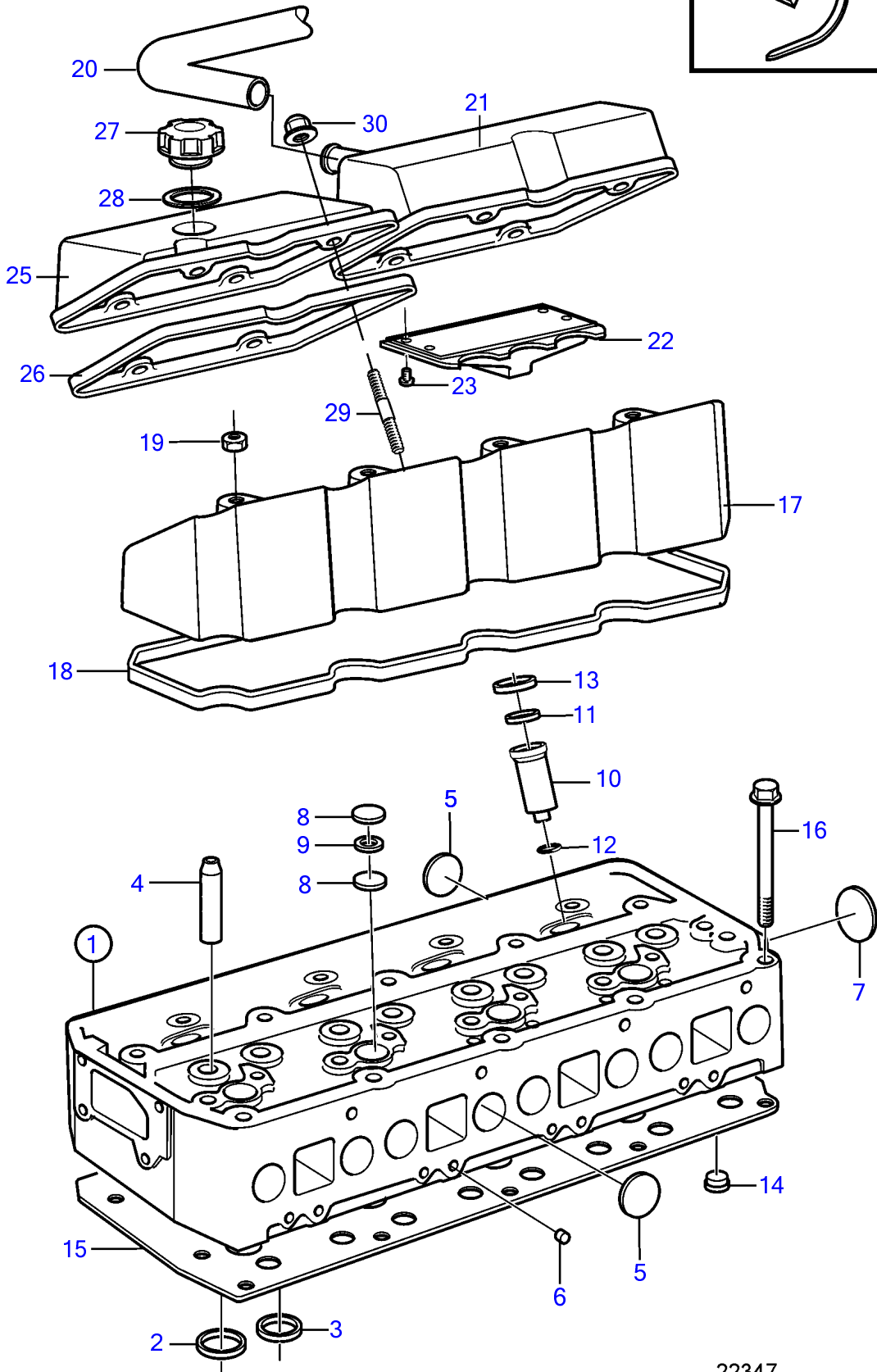
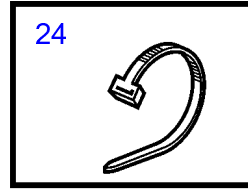


KAD32P-A



KAD32P-A

REF	PART NO.	QTY	DESCRIPTION	NOTES
1	3803306	1	Cylinder head	SN2203202490-2203207257, (3581552) Repl by 3583896
				SN2203207258-, (3583896)
2	858331	4	• Valve seat, exhaust	Std
	858332	4	• Valve seat, exhaust	O.S=0,20mm
3	860035	4	• Valve seat, inlet	Std
	860036	4	• Valve seat, inlet	O.S=0,20mm
4	3582561	8	• Valve guide	(419653)
5	477026	9	• Expansion plug	
6	967853	8	• Cap plug	
7	968955	1	• Expansion plug	
8	967948	8	• Expansion plug	
9	949329	4	• Gasket	
10	3582429	4	• Spray sleeve	
11	838896	4	• Sealing ring	
12	838821	4	• O-ring	
13	838619	4	• Retainer	
14	465420	4	• Jet	
15	3582432	1	Cylinder head gasket	
16	838775	19	Flange screw	
17	838648	1	Valve cover	
18	838652	1	Gasket	
19	945408	4	Flange nut	(968862)
20	3581473	1	Hose	
21	860541	1	Valve cover	Replaced by 860542, 860601 & 977771
	860542	1	• Valve cover	
22	860601	1	• Insert	
23	977771	4	• Flange screw	
24	948211	2	Cable tie	
25	838651	1	Valve cover	
26	838654	2	Gasket	
27	1275403	1	Oil filler cap	
28	1275379	1	• Gasket	
29	1542380	8	Stud	(953034)
30	968458	8	Flange cap nut	