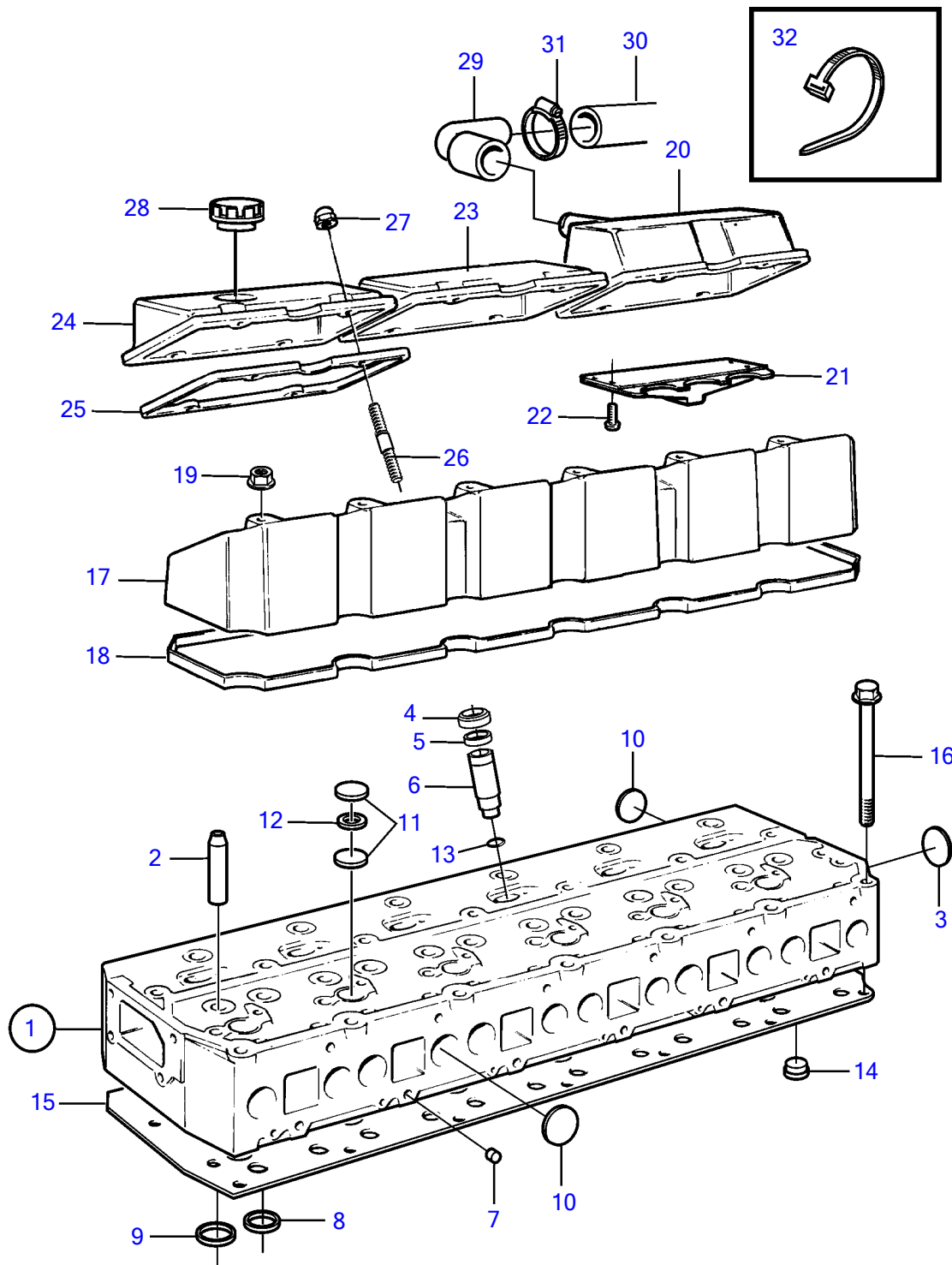


TAMD42WJ-A



TAMD42WJ-A

REF	PART NO.	QTY	DESCRIPTION	SEE SEC.	NOTES
1	3803308	1	Cylinder head		SN-2204216396, (861300) Repl by 3581554 SN2204216397-2042016556, (3581554) Repl by 3583900 SN2042016557-, (3583900) (419653)
2	3582561	12	• Valve guide		
3	968955	1	• Expansion plug		
4	838619	6	• Retainer		
5	838896	6	• Sealing ring		
6	861255	6	• Spray sleeve		For 861300
	3582429	6	• Spray sleeve		For 3581554
	3581536	6	• Spray sleeve		For 3581554
7	967853	12	• Cap plug		
8	858331	6	• Valve seat, exhaust		Std
	858332	6	• Valve seat, exhaust		Over size 0,20mm
9	860035	6	• Valve seat, inlet		Std
	860036	6	• Valve seat, inlet		Over size 0,20mm
10	477026	13	• Expansion plug		
11	967948	12	• Expansion plug		
12	949329	6	• Gasket		
13	838821	6	• O-ring		
14	465420	6	• Jet		
15	3583786	1	Cylinder head gasket		(3582433)
16	838775	27	Flange screw		
17	838649	1	Valve cover		
18	838653	1	Gasket		
19	945408	4	Flange nut		
20	860541	1	Valve cover		Replaced by 860542, 860601 & 977771
	860542	1	• Valve cover		
21	860601	1	• Insert		
22	977771	4	• Flange screw		
23	838650	1	Valve cover		
24	838651	1	Valve cover		
25	838654	3	Gasket		
26	1542380	12	Stud		(953034)
27	968458	12	Flange cap nut		
28	1275403	1	Oil filler cap		
29		1	Rubber sleeve	4758	
30		X	Pipe	4758	L=670mm
31		1	Hose clamp	4758	
32		1	Strip clamp	4758	