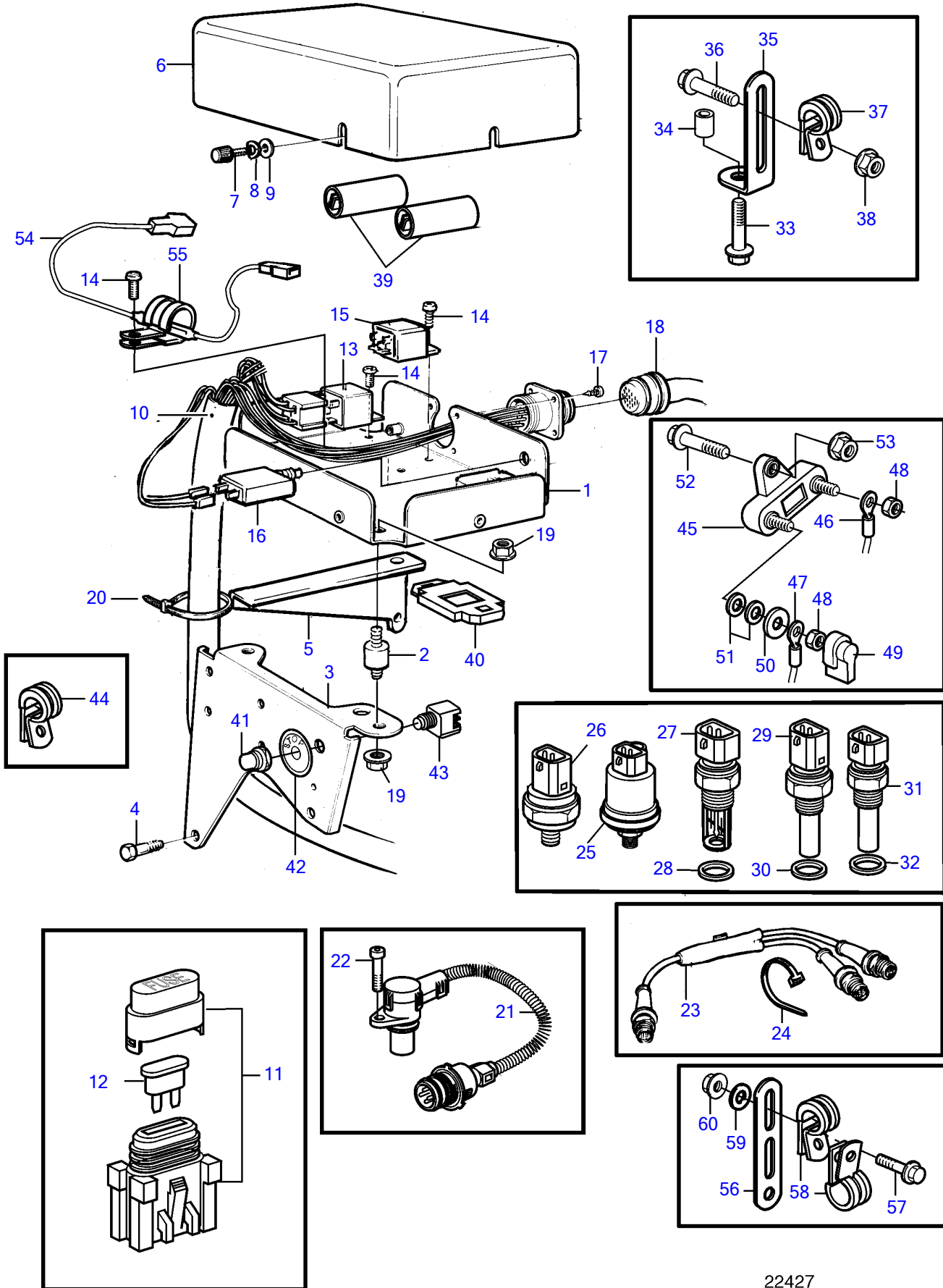


KAMD44P-B



22427

## KAMD44P-B

REF	PART NO.	QTY	DESCRIPTION	SEE SEC.	NOTES
1	3581402	1	Bracket		
2	1348141	3	Absorber		
3	3581530	1	Bracket		
4	947760	1	Flange screw		L=40mm
	948217	1	Flange screw		L=45mm
5	3581444	1	Bracket		
6	(860779)	1	Cover		Obsolete part
7	846736	3	Lock screw		
8	941904	3	Spring washer		
9	960137	3	Washer		
10	874128	1	Wiring harness		Replaced by 1ea cable harness 874128 and 2ea diodes 1624394., SN-2204406316
	874182	1	Wiring harness		SN2204406317-
11	873852	2	• Fuse holder		Spare part design.
		2	• • Fuse		Shall not be used., 5A
12	980555	2	• Fuse		7.5A
13	873740	1	Relay		
14	968476	5	Flange screw		
15	1324492	3	Relay		
16	966689	2	Fuse		8A
17	955119	4	Cross recessed screw		
18	846648	X	Extension cable\verl		L=3.0m
	846649	X	Extension cable\verl		L=5.0m
	846650	X	Extension cable\verl		L=7.0m
	873838	X	Extension cable\verl		L=9.0m
	873839	X	Extension cable\verl		L=11.0m
19	945407	6	Flange nut		
20	948211	X	Cable tie		
21	3944124	1	Sensor, rpm		
22	963684	1	Hex. socket screw		
23	1140598	1	Distributing contact		For double steering positions.
24	948211	3	Cable tie		
25	866835	1	Sensor, oil-engine		0-10BAR
			• Bulletin P-38-6-1	P-38-6-1-EN	Vibration Damping Kit
25	866836	1	Sensor, oil-engine		For double steering positions., Alt,0-10bar
26	863169	1	Pressure monitor, oil-pressure		0,7bar
27	8141474	1	Temperature sensor, air inlet		
28	11998	1	Gasket		
29	862154	1	Temperature sensor, coolant water		120°C
	862567	1	Temperature sensor, coolant water		For double steering positions., Alt
30	11998	1	Gasket		
31	1624368	1	Sensor, coolant water		EDC
32	11996	1	Gasket		
33	946671	1	Flange screw		
34	843075	1	Spacer sleeve		
35	965558	2	Bracket		
36	946544	2	Flange screw		
37	952635	2	Clamp		
38	945407	2	Flange nut		
39		2	Diode		(1624394)
40	873944	1	Retainer		
41	828586	1	Nut		
42	3809463	1	Decal		
43	828584	1	Toggle switch		
44	949746	1	Clamp, alternator		(946834)
47					See group 44
54	873828	1	Resistor		
55	952627	1	Clamp		
56	965541	1	Bracket		
57	946544	1	Flange screw		
58	952627	1	Clamp		

7738870-30-4972

22427

Upd:2012-02-13

KAMD44P-B

REF	PART NO.	QTY	DESCRIPTION	SEE SEC.	NOTES
	952632	1	Clamp		
59	955893	1	Washer		
60	945407	1	Flange nut		