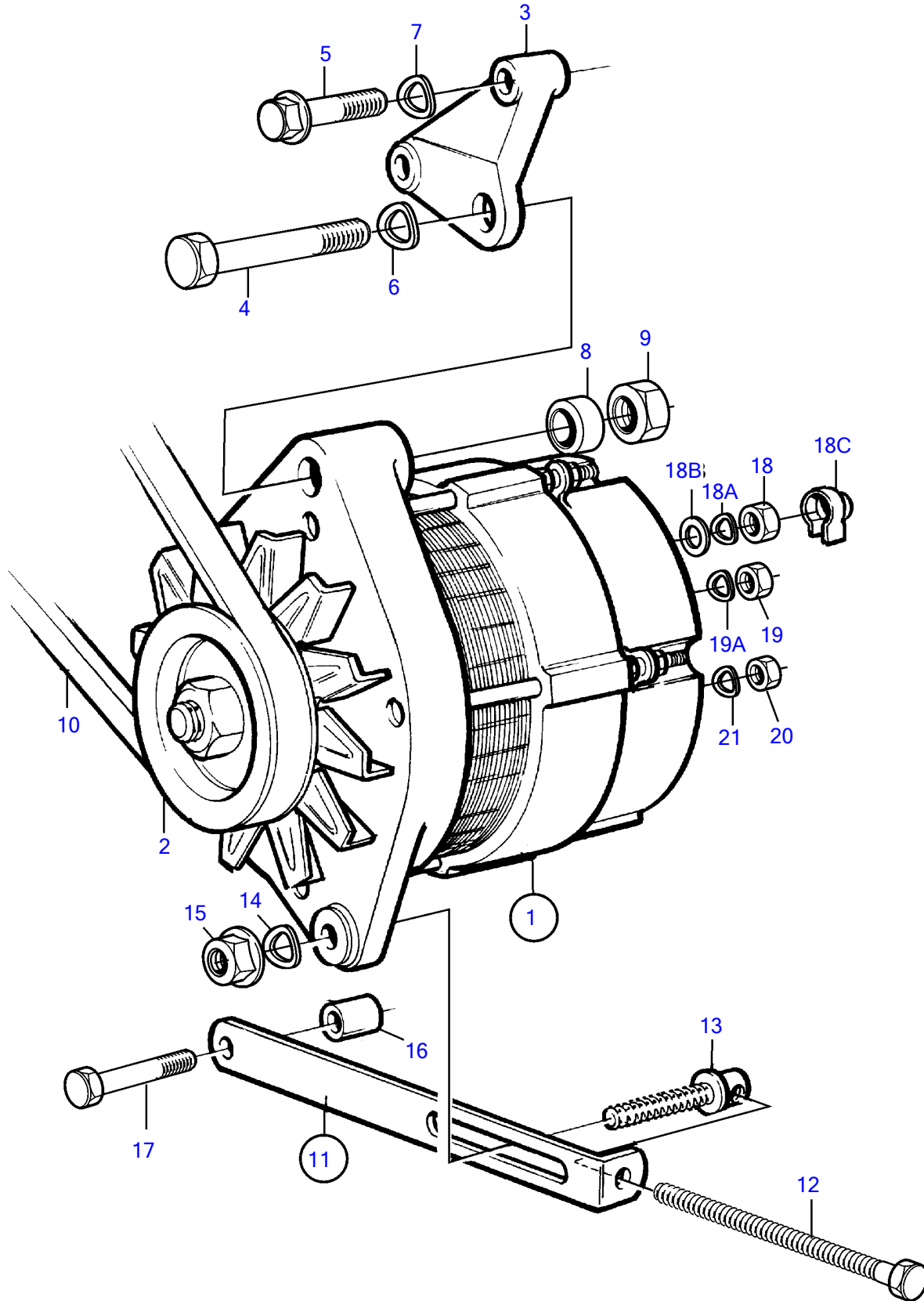


KAD44P-A, KAD44P-B, KAD44P-C, KAMD44P-A, KAMD44P-B, KAMD44P-C, , KAMD300-A



KAD44P-A, KAD44P-B, KAD44P-C, KAMD44P-A, KAMD44P-B, KAMD44P-C, , KAMD300-A

REF	PART NO.	QTY	DESCRIPTION	SEE SEC.	NOTES
1				4914	
	873770	1	Alternator		14V 60A
	3803444	1	Alternator, exch, exch		14V 60A
				4939	
2	841813	1	Pulley		
3	860666	1	Bracket		
4	959804	1	Hexagon screw		L=127mm
5	965180	1	Flange screw		L=60mm
	969189	1	Flange screw		L=85mm
6	941909	1	Spring washer		
8	860699	1	Spacer sleeve		
9	950355	1	Lock nut		
10	977542	1	V-belt		
11	861660	1	Tensioning arm		
12	977820	1	• Hexagon screw		
13	861663	1	• Flange screw		
14	941907	1	Spring washer		
15	945408	1	Flange nut		
16	843075	1	Spacer sleeve		
17	969189	1	Flange screw		
18	955781	1	Hexagon nut		M6, b+
18A	949607	1	Spring washer		
18B	976943	1	Washer		
18C	(1234326)	1	Protecting casing		Obsolete part
19	965483	1	Flange nut		M5, D+
19A	941905	1	Spring washer		
20	955779	1	Hexagon nut		M4, w
21	980689	1	Washer		