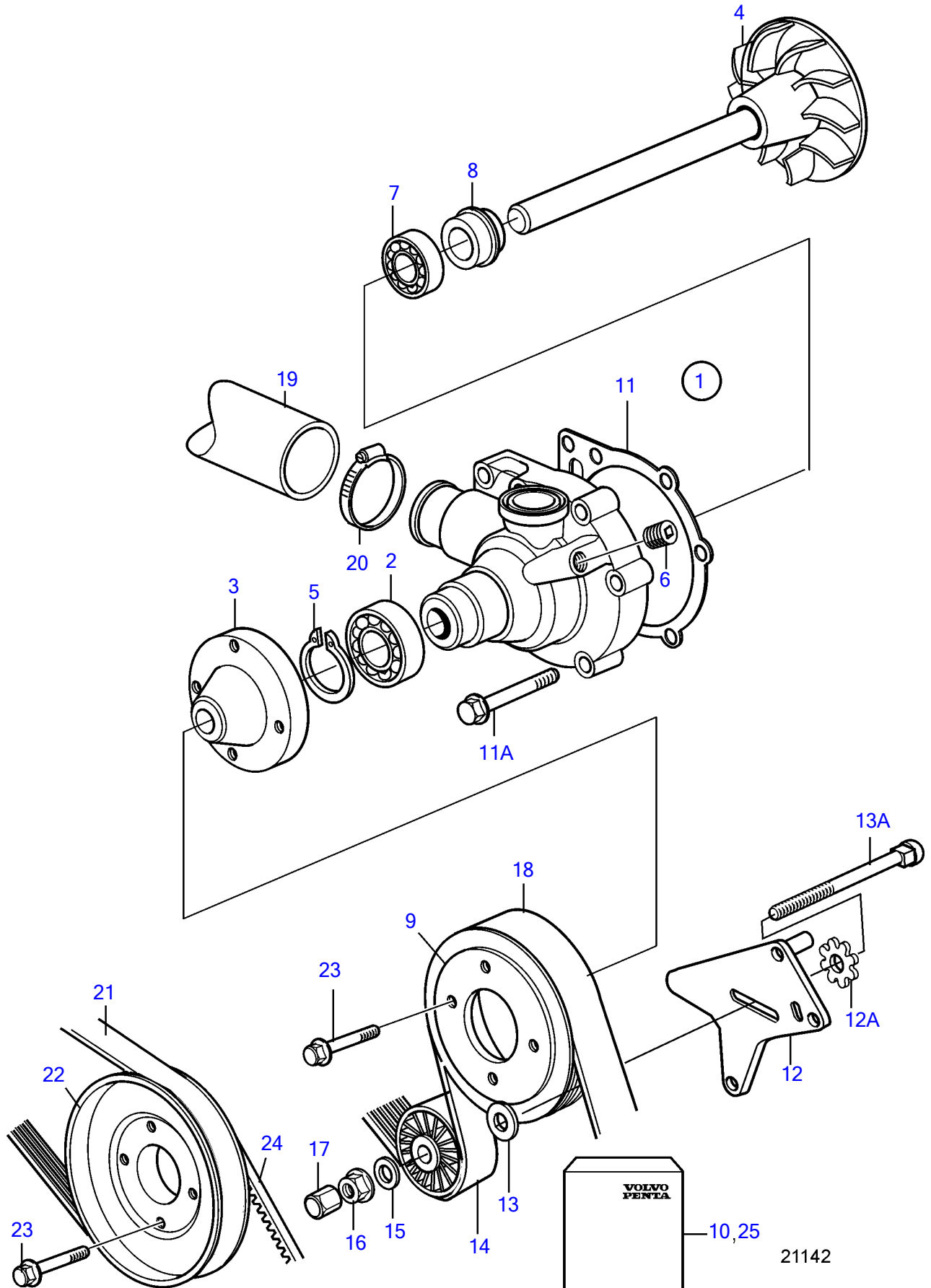


, KAMD300-A



, KAMD300-A

REF	PART NO.	QTY	DESCRIPTION	SEE SEC.	NOTES
1	3583096	1	Water pump		Replaced by 1 pc 3809412, coolant pump, 1 pc 3588384, pulley and 4 pcs 947760, flange screw., Repl by 3809412
	3809412	1	Water pump		
	3803869	1	Coolant pump, exch		
2	(184861)	1	• Ball bearing		Obsolete part, Included in overhaul kit.
3	(3588402)	1	• Hub		Obsolete part
4	3583087	1	• Impeller, with shaft		Included in overhaul kit.
5	914462	1	• Snap ring		Included in overhaul kit.
6	479977	1	• Plug		
7	1660609	1	• Ball bearing		Included in overhaul kit.
8	1676432	1	• Sealing ring		Included in overhaul kit.
9	3580971	1	Pulley		For multi-V-belt.
10	877385	1	Repair kit	5105	
11	859027	1	Gasket		Included in overhaul kit.
11A	947760	6	Flange screw		
12	3582167	1	Bracket		Included in service kit.
12A	3582168	1	Gear		Included in service kit.
13	3582189	1	Spacer		Included in service kit.
13A	982331	1	Square neck screw		Included in service kit.
14	3582324	1	Tension pulley		Included in service kit.
15	976945	1	Washer		Included in service kit.
16	971095	1	Flange nut		Included in service kit.
17	3582677	1	Nut		Included in service kit.
18	3582424	1	Drive belt		
19	3581099	1	Hose		Heat exchanger-expansion tank-water pump.
20	943478	1	Hose clamp		
21	860388	1	Drive belt		
22	860454	1	Pulley		
23	947760	4	Flange screw		
24	977542	1	V-belt		
25	877180	1	Service kit		
			• Bulletin 44-48	44-48-EN	Belt tensioner Upgrade Kit for D32, 42WJ, 42, 42, 44

7738870-26-5111

21142

Upd:2012-02-13