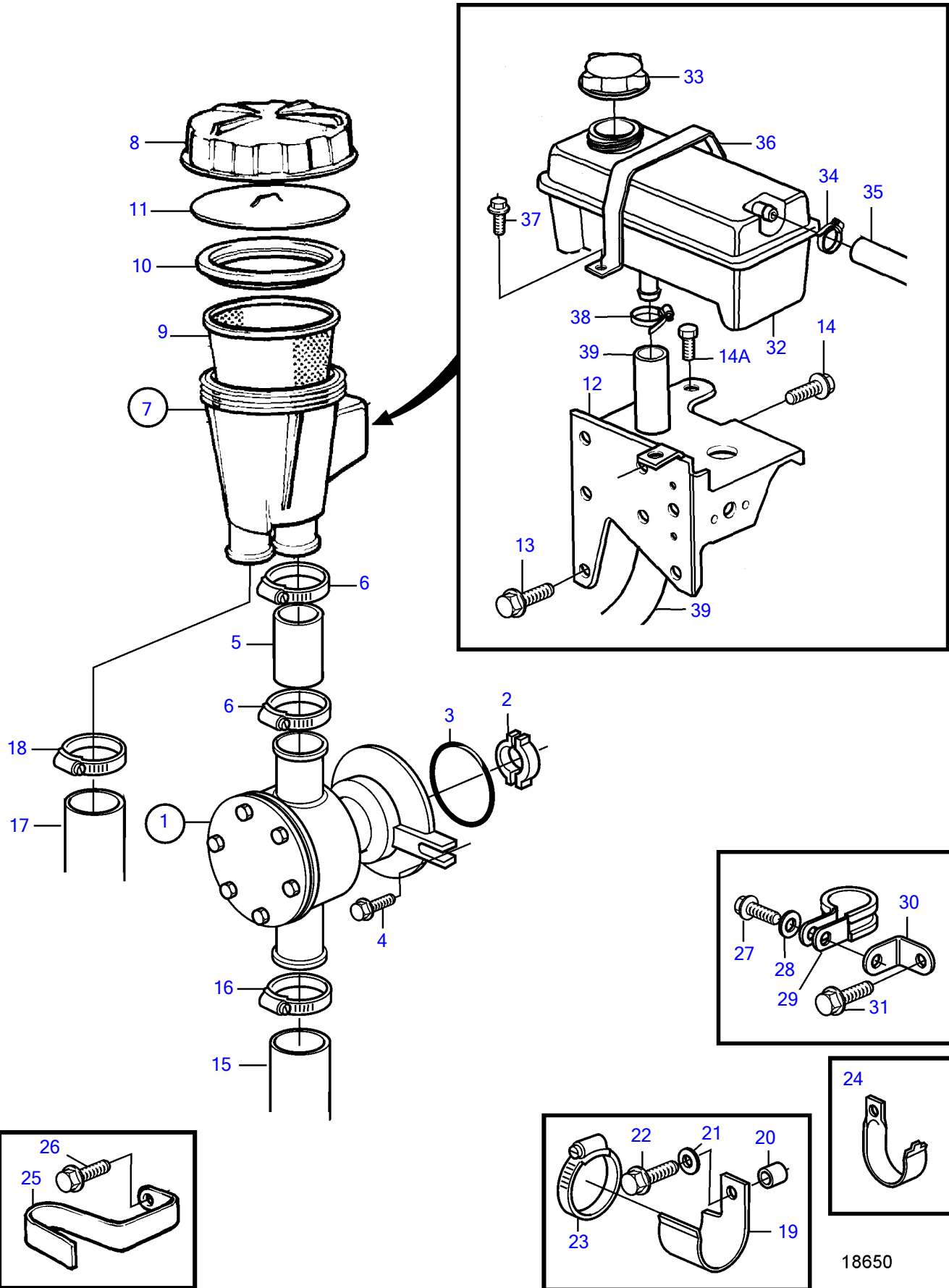


KAD32P-A



Upd:2012-02-13

18650

7738870-26-3040

KAD32P-A

REF	PART NO.	QTY	DESCRIPTION	SEE SEC.	NOTES
1	3581558	1	Sea water pump		Repl by 3583115
			•		
			•	3400	
	3583115	1	Sea water pump		
			•		
			•	3400	
2	858467	1	Companion flange		
3	968971	1	O-ring		
4	945444	2	Flange screw		
5	949315	1	Rubber hose		L=60mm
6	943476	2	Hose clamp		
7	860631	1	Sea water filter		
8	842722	1	• Cover		
9	860687	1	• Strainer		
10	842724	1	• Sealing		
11	842982	1	• Pressure plate		
12	3581478	1	Bracket		
13	946470	1	Flange screw		L=35mm
	948217	1	Flange screw		L=45mm
14	944926	4	Flange screw		
14A	946471	1	Flange screw		
15	861737	1	Hose		Intake-sea water pump., Std
	1140664	X	Exhaust hose		Intake-sea water pump., Alt
16	961669	2	Hose clamp		
17	861018	1	Hose		Sea water filter-oil cooler.
18	943476	1	Hose clamp		
19	3580758	1	Bracket		
20	843075	1	Spacer sleeve		
21	955894	1	Washer		
22	945444	1	Flange screw		
23	961669	1	Hose clamp		
24	834974	1	Clamp		
25	861387	1	Bracket		
26	947760	1	Flange screw		
27	948746	1	Flange screw		(968855)
28	955893	1	Washer		
29	952640	1	Clamp		
30	846780	1	Bracket		
31	965183	1	Flange screw		
32	861105	1	Expansion tank		
			• Bulletin P-18-4-4	P-18-4-4-EN	Coolant Recommendations for Gas Engines
			• Bulletin p-26-1-7	p-26-1-7-EN	Coolant Capacity, FWC Gas Engines
33	1674083	1	Pressure cap		
34	945652	1	Hose clamp		
35	942700	X	Hose		Expansion tank-thermostat housing., L=440mm
36	3581463	1	Clamp		
37	946544	1	Flange screw		
38	943474	1	Hose clamp		
39	3581465	1	Hose		Expansion tank- water pump.