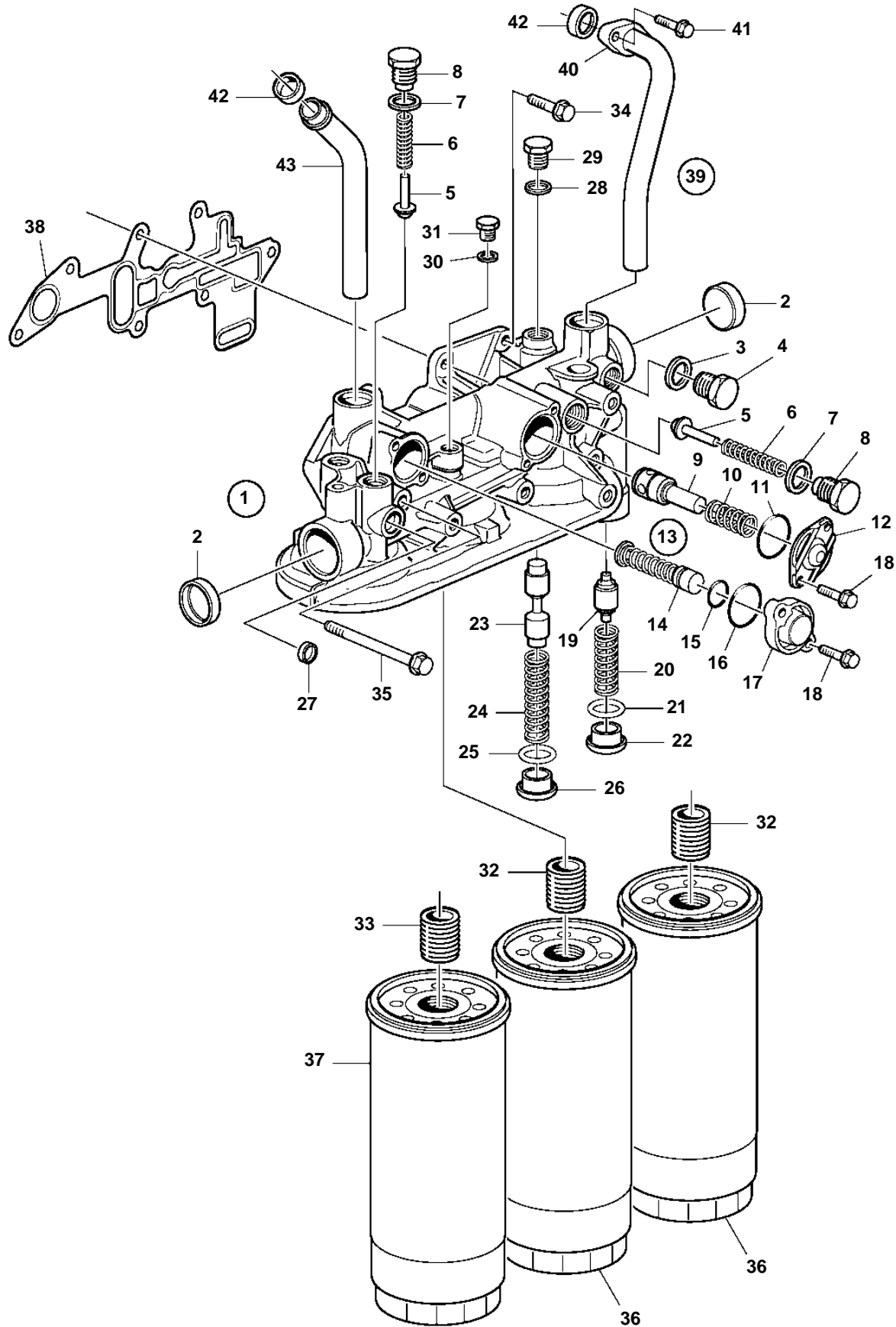


D9A2A MG



## D9A2A MG

REF	PART NO.	QTY	DESCRIPTION
1	888320	1	Oil filter housing
2	8131707	2	· Cap plug
3	947624	1	· Gasket
4	960632	1	· Plug
5	471085	2	· Valve
6	466653	2	· Spring
7	947627	2	· Gasket
8	471598	2	· Plug
9	471706	1	· Reducing valve
10	469332	1	· · Spring
11	469846	1	· Sealing ring
12	471648	1	· Cover
13	3169687	1	· Delivery valve
14	955964	1	· · Snap ring
15	976039	1	· · O-ring
16	949659	1	· O-ring
17	3184806	1	· Cover
18	947542	4	· Screw
19	20440779	1	· By-pass valve
20	20464676	1	· Spring
21	947629	1	· Gasket
22	3587204	1	· Plug
23	20440781	1	· Piston
24	20464676	1	· Spring
25	947622	1	· Gasket
26	3587240	1	· Plug
27	946778	1	· Cap plug
28	947622	1	· Gasket
29	960631	1	· Plug
30	11994	1	· Gasket
31	960629	1	· Plug
32	466623	2	· Nipple
33	469904	1	· Nipple
34	946173	4	Flange screw
35	969225	3	Flange screw
36	478736	2	Oil filter
37	477556	1	Oil filter, by-pass
38	20480827	1	Gasket
39	3161224	1	Tube
40	469543	1	· Flange
41	965180	2	Flange screw
42	471626	2	Sealing ring
43	3161223	1	Oil pipe