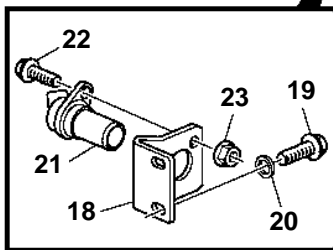
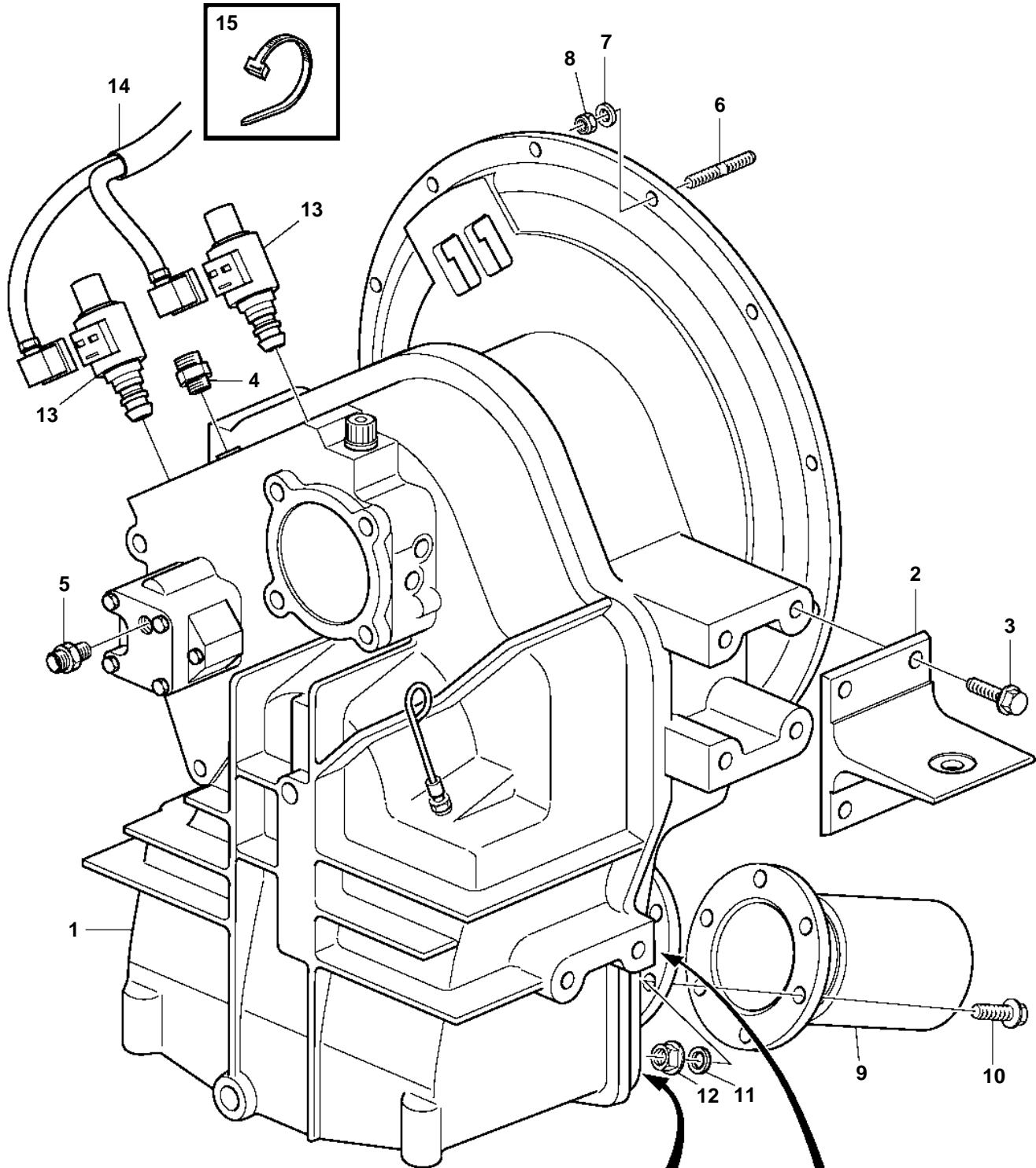
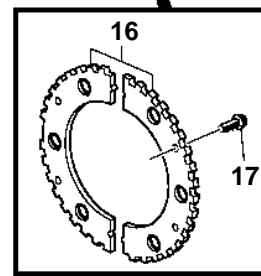


D9A2A D9-425, D9A2A D9-500 (R4), D9A2A D9-575, D9A2B 425, D9A2B D9-500 (R5), D9A2B D9-575



22349



7746900 - 44 - 7541

Upd: 2009-12-16

D9A2A D9-425, D9A2A D9-500 (R4), D9A2A D9-575, D9A2B 425, D9A2B D9-500 (R5), D9A2B D9-575

REF	PART NO.	QTY	DESCRIPTION	NOTES
1		1	Reversing gear	RATIO 1.49:1
		1	Reversing gear	RATIO 1.72:1
			· Parts not sold separately	
2	3589468	2	Engine mountings	
3	968435	8	Flange screw	
4	192639	1	Nipple	
5	984668	1	Nipple	
6	479972	12	Stud	
7	823575	12	Spacer sleeve	
8	971089	12	Lock nut	
9	3828558	1	Clutch flange	
10	955739	6	· Hexagon screw	
11	941912	6	· Spring washer	
12	950378	6	· Lock nut	
13	3828564	1	Solenoid, kit	12V
	3828565	1	Solenoid, kit	24V
14	3594240	1	Wiring harness	
15	948211	X	Cable tie	
16	3819857	2	Sensor wheel	
17	945358	4	Flange screw	
18	3843690	1	Bracket	
19	946440	2	Flange screw	
20	941907	2	Spring washer	
21	20513343	1	Sensor	
22	946544	1	Flange screw	
23	949278	1	Flange lock nut	