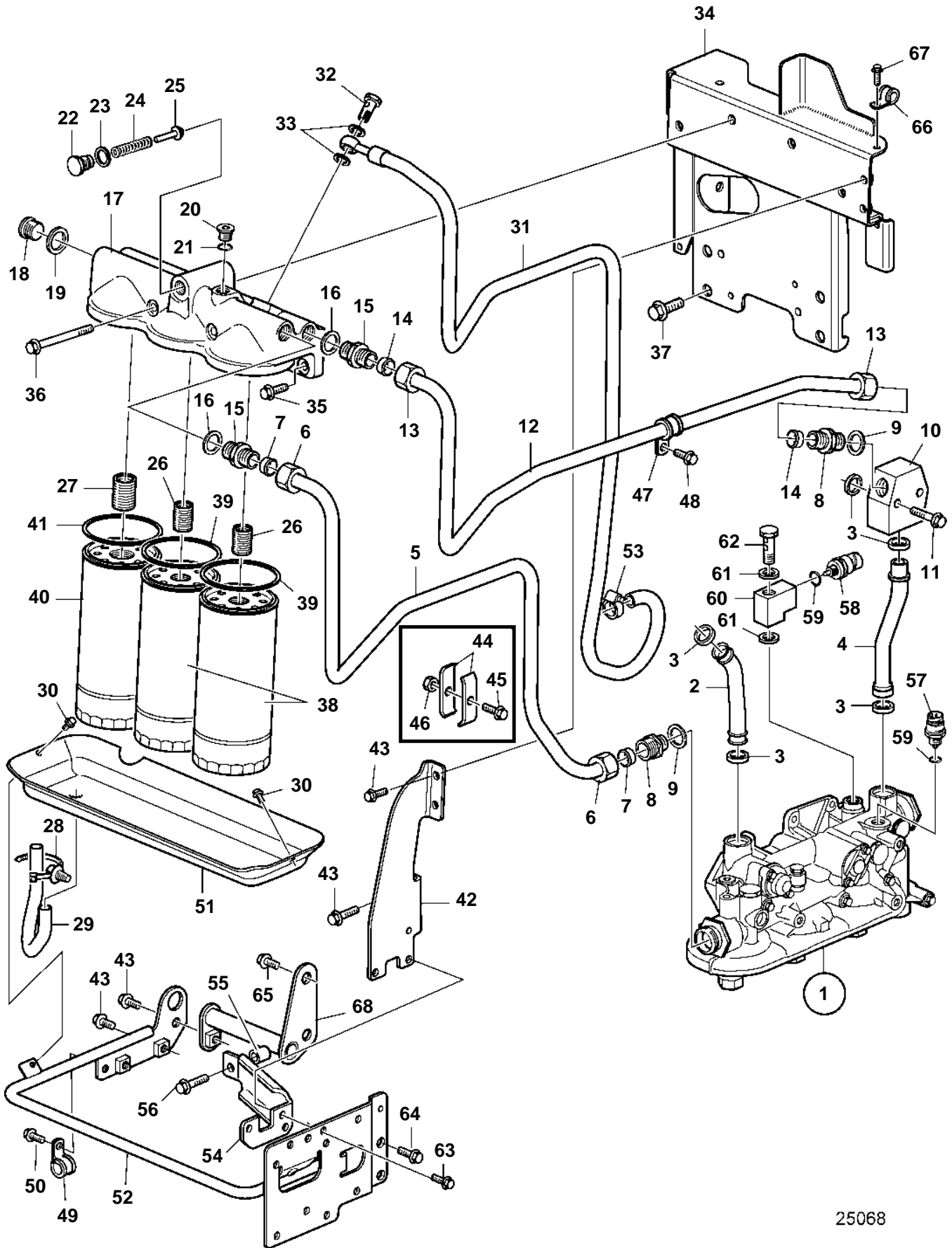


D9A2A D9-425, D9A2A D9-500 (R4), D9A2A D9-575, D9A2B 425, D9A2B D9-500 (R5), D9A2B D9-575



25068

D9A2A D9-425, D9A2A D9-500 (R4), D9A2A D9-575, D9A2B 425, D9A2B D9-500 (R5), D9A2B D9-575

REF	PART NO.	QTY	DESCRIPTION	SEE SEC.	NOTES
1	3587347	1	Oil filter housing		Replaced by oil filter housing 3842787 and gasket 20480827.
	3842787	1	Oil filter housing	10109	
2	20734497	1	Pipe		
3	471626	5	Sealing ring		
4	3839295	1	Oil pipe		
5	3836301	1	Oil pipe		
6	956987	2	· Fitting nut		
7	956973	2	· Ferrule		
8	982254	2	Nipple		
9	948885	2	Gasket		
10	3818529	1	Connection block		(3587590)
11	965180	2	Flange screw		
12	3836300	1	Oil pipe		
13	956987	2	· Fitting nut		
14	956973	2	· Ferrule		
15	948170	2	Nipple		
16	977937	2	Gasket		
17	11127988	1	Oil filter housing		
18	1698627	2	· Plug		
19	977937	1	· Gasket		
20	20459641	1	· Plug		
21		1	· · O-ring		
22	471598	1	· Plug		
23	947627	1	· Gasket		
24	466653	1	· Compression spring		
25	471085	1	· Valve cone		
26	466623	2	· Nipple		
27	469904	1	· Nipple		
28		1	Cable tie		
29	941507	X	Hose		L=300mm
30	967949	2	Flange screw		
31	3883438	1	Oil hose		
32	25167	1	Hollow screw		
33	982723	2	Gasket		
34	21131317	1	Bracket		
35	946472	2	Flange screw		
36	969313	2	Flange screw		
37	966356	4	Flange screw		
38	478736	2	Oil filter		
39		2	· Gasket		
40	477556	1	Oil filter		
41		1	· Gasket		
42	3817750	1	Bracket		
43	946440	5	Flange screw		
44		4	Clamp		
45	965176	2	Flange screw		
46	945407	2	Flange nut		
47	952632	1	Clamp		
48	947107	1	Flange screw		
49	1545432	1	Clamp		
50	946173	1	Flange screw		
51	3586978	1	Spill plate		
52	21384429	1	Bracket		Later production
53	943471	1	Hose clamp		
54	3887394	1	Bracket		
55		1	Spacer sleeve		
56	965185	1	Flange screw		
57	1077574	1	Sensor, oil pressure/temperature		
58	874673	1	Pressure switch, piston cooling		Replaced by 21202753.
	21202753	1	Pressure switch		
59	968559	2	O-ring		
60	3812421	1	Connection block		
61	11996	2	Gasket		

7746900 - 22 - 35973

25068

Upd: 2009-12-16

