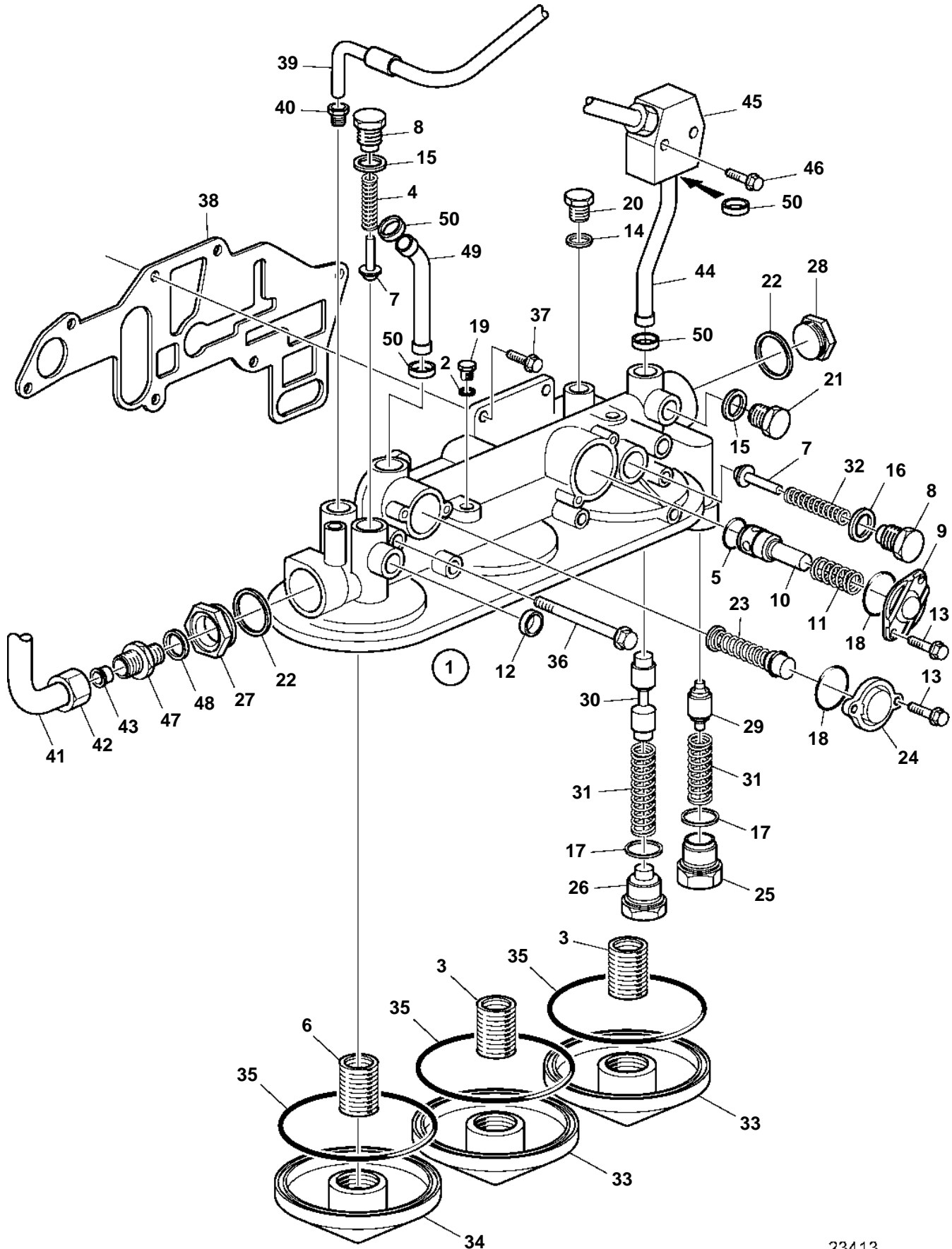


D9A2A D9-425, D9A2A D9-500 (R4), D9A2A D9-575, D9A2B 425, D9A2B D9-500 (R5), D9A2B D9-575



D9A2A D9-425, D9A2A D9-500 (R4), D9A2A D9-575, D9A2B 425, D9A2B D9-500 (R5), D9A2B D9-575

REF	PART NO.	QTY	DESCRIPTION	NOTES
1	3587347	1	Oil filter housing	Replaced by oil filter housing 3842787 and gasket 20480827.
	3842787	1	Oil filter housing	
2	11994	1	• Gasket	
3	466623	2	• Nipple	
4	466653	2	• Compression spring	
5	469846	1	• Sealing ring	
6	469904	1	• Nipple	
7	471085	2	• Valve cone, overflow valve	
8	471598	2	• Plug	
9	471648	1	• Cover	
10	471706	1	• Reduction valve	
11	469332	1	• • Spring	
12	946778	1	• Cap plug	
13	947542	4	• Flange screw	
14	947622	1	• Gasket	
15	947624	2	• Gasket	
16	947627	2	• Gasket	
17	947629	2	• Gasket	
18	949659	2	• O-ring	
19	960629	1	• Plug	
20	960631	1	• Plug	
21	960632	1	• Plug	
22	982510	2	• Gasket	
23	3169687	1	• Delivery valve, by-pass	
24	3184806	1	• Cover	
25	3587204	1	• Plug	
26	3587240	1	• Plug	
27	3839443	1	• Connector	
28	3588439	1	• Plug	
29	20440779	1	• Valve cone, piston cooling	
30	20845937	1	• Piston, control valve	
31	20464676	2	• Spring	
32	3830138	1	• Compression spring	
33	3812511	2	Cover	
34	3812510	1	Cover	
35	948981	3	O-ring	
36	969225	3	Flange screw	
37	946173	3	Flange screw	
38	20480827	1	Gasket	For oil filter housing 3842787
	20882218	1	Gasket	For oil filter housing 3587347., (20781230)
39	3883439	1	Oil line	
40	471598	1	Plug	
41	3836301	1	Oil pipe	
42	956987	2	• Fitting nut	
43	956973	2	• Ferrule	
44	3839295	1	Oil pipe	
45	3818529	1	Connection block	(3587590)
46	965180	2	Flange screw	
47	982254	1	Nipple	
48	948885	1	Gasket	
49	20734497	1	Pipe	
50	471626	4	Sealing ring	