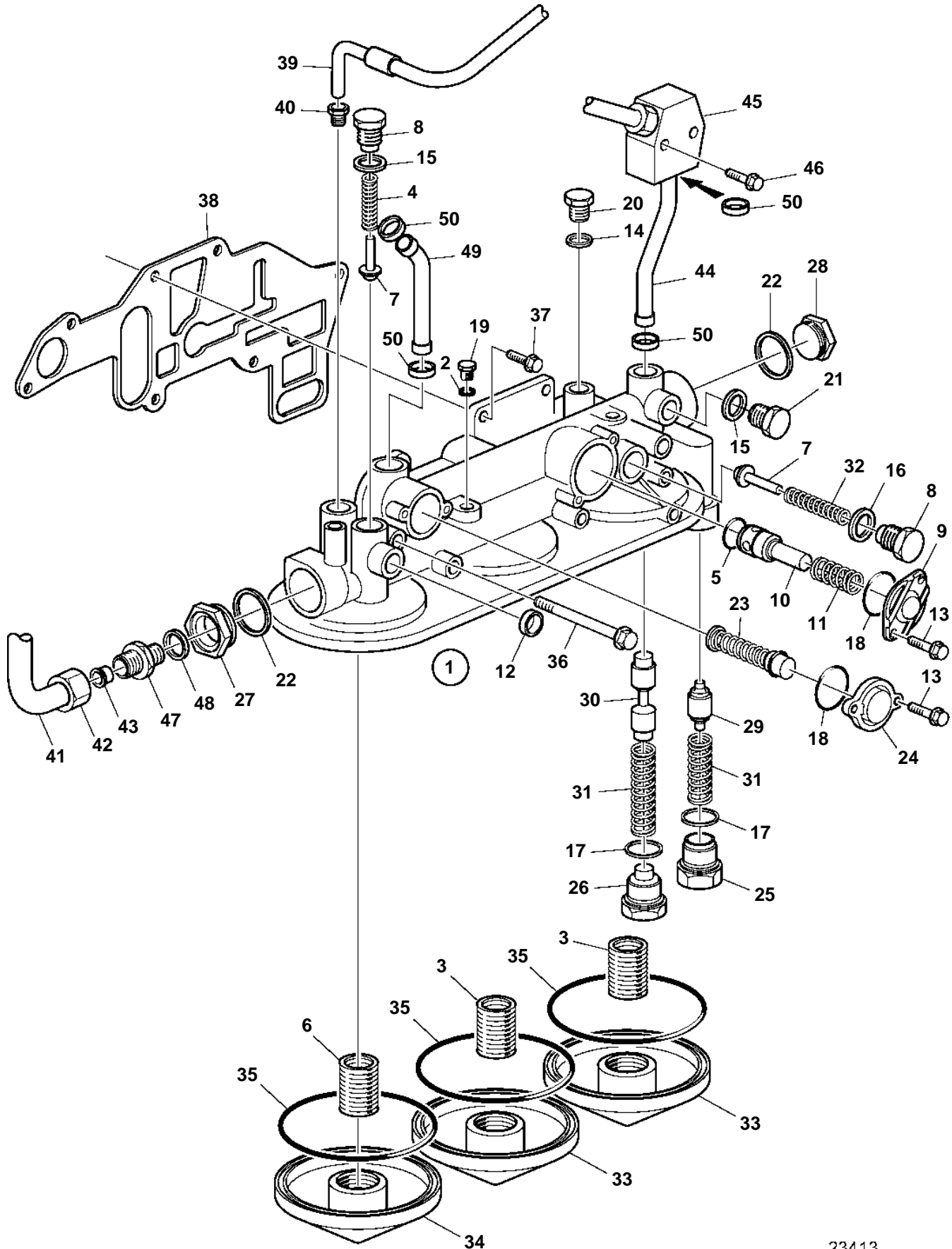


D9A2A D9-425, D9A2A D9-500 (R4), D9A2A D9-575, D9A2B 425, D9A2B D9-500 (R5), D9A2B D9-575



D9A2A D9-425, D9A2A D9-500 (R4), D9A2A D9-575, D9A2B 425, D9A2B D9-500 (R5), D9A2B D9-575

| REF | PART NO. | QTY | DESCRIPTION | NOTES |
|-----|----------|-----|------------------------------|---|
| 1 | 3587347 | 1 | Oil filter housing | Replaced by oil filter housing 3842787 and gasket 20480827. |
| | 3842787 | 1 | Oil filter housing | |
| 2 | 11994 | 1 | • Gasket | |
| 3 | 466623 | 2 | • Nipple | |
| 4 | 466653 | 2 | • Compression spring | |
| 5 | 469846 | 1 | • Sealing ring | |
| 6 | 469904 | 1 | • Nipple | |
| 7 | 471085 | 2 | • Valve cone, overflow valve | |
| 8 | 471598 | 2 | • Plug | |
| 9 | 471648 | 1 | • Cover | |
| 10 | 471706 | 1 | • Reduction valve | |
| 11 | 469332 | 1 | • Spring | |
| 12 | 946778 | 1 | • Cap plug | |
| 13 | 947542 | 4 | • Flange screw | |
| 14 | 947622 | 1 | • Gasket | |
| 15 | 947624 | 2 | • Gasket | |
| 16 | 947627 | 2 | • Gasket | |
| 17 | 947629 | 2 | • Gasket | |
| 18 | 949659 | 2 | • O-ring | |
| 19 | 960629 | 1 | • Plug | |
| 20 | 960631 | 1 | • Plug | |
| 21 | 960632 | 1 | • Plug | |
| 22 | 982510 | 2 | • Gasket | |
| 23 | 3169687 | 1 | • Delivery valve, by-pass | |
| 24 | 3184806 | 1 | • Cover | |
| 25 | 3587204 | 1 | • Plug | |
| 26 | 3587240 | 1 | • Plug | |
| 27 | 3839443 | 1 | • Connector | |
| 28 | 3588439 | 1 | • Plug | |
| 29 | 20440779 | 1 | • Valve cone, piston cooling | |
| 30 | 20845937 | 1 | • Piston, control valve | |
| 31 | 20464676 | 2 | • Spring | |
| 32 | 3830138 | 1 | • Compression spring | |
| 33 | 3812511 | 2 | Cover | |
| 34 | 3812510 | 1 | Cover | |
| 35 | 948981 | 3 | O-ring | |
| 36 | 969225 | 3 | Flange screw | |
| 37 | 946173 | 3 | Flange screw | |
| 38 | 20480827 | 1 | Gasket | For oil filter housing 3842787 |
| | 20882218 | 1 | Gasket | For oil filter housing 3587347., (20781230) |
| 39 | 3883439 | 1 | Oil line | |
| 40 | 471598 | 1 | Plug | |
| 41 | 3836301 | 1 | Oil pipe | |
| 42 | 956987 | 2 | • Fitting nut | |
| 43 | 956973 | 2 | • Ferrule | |
| 44 | 3839295 | 1 | Oil pipe | |
| 45 | 3818529 | 1 | Connection block | (3587590) |
| 46 | 965180 | 2 | Flange screw | |
| 47 | 982254 | 1 | Nipple | |
| 48 | 948885 | 1 | Gasket | |
| 49 | 20734497 | 1 | Pipe | |
| 50 | 471626 | 4 | Sealing ring | |