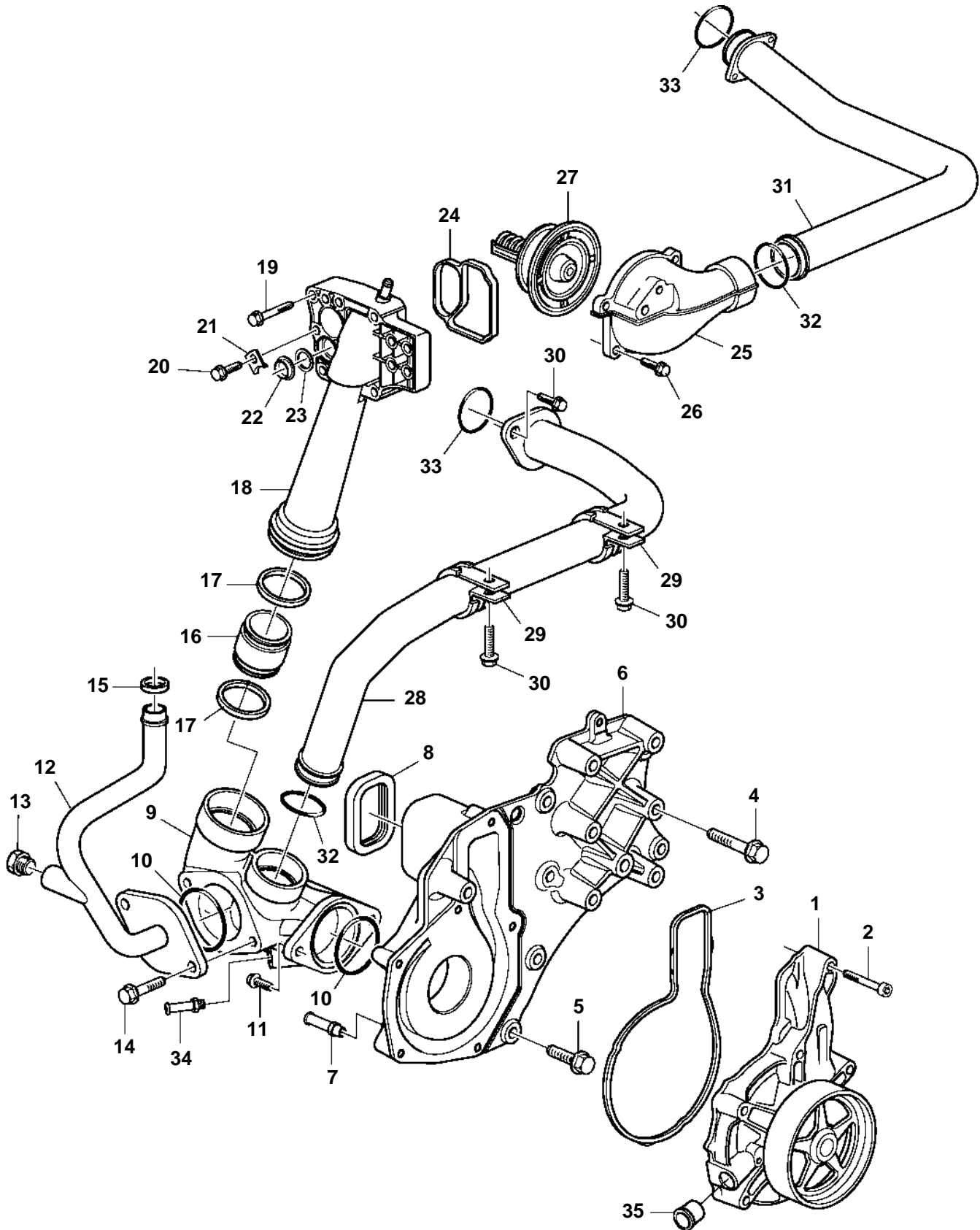


D9A2A D9-425, D9A2A D9-500 (R4), D9A2A D9-575, D9A2B 425, D9A2B D9-500 (R5), D9A2B D9-575, D9A2A D9A-MH, D9A2B MH



D9A2A D9-425, D9A2A D9-500 (R4), D9A2A D9-575, D9A2B 425, D9A2B D9-500 (R5), D9A2B D9-575, D9A2A D9A-MH, D9A2B MH

REF	PART NO.	QTY	DESCRIPTION	NOTES
1	3803844	1	Coolant pump, exch · Parts not sold separately	
2	959229	6	Hex. socket screw	
3	8131097	1	Sealing ring	
4	946441	2	Flange screw	L=20mm
5	946472	6	Flange screw	L=30mm
6	3808593	1	Coolant pump housing	
7	977508	1	Hose nipple	
8	20430678	1	Sealing ring	
9	3836307	1	Coolant pipe	
10	975675	4	O-ring	
11	965184	2	Flange screw	
12	3837621	1	Coolant pipe	
13	982365	1	Plug	
14	945444	2	Flange screw	
15	471637	1	Sealing ring	
16	20451178	1	Connection pipe	
17	1547254	2	Sealing ring	
18	20555313	1	Connection pipe	
19	973924	5	Flange screw	
20	946440	1	Flange screw	
21	1546531	1	Lock brace	
22	20845995	1	Plug	
23	1547252	1	Sealing ring	
24	20479636	1	Sealing strip	
25	3588673	1	Cardboard tube	
26	946173	4	Flange screw	
27	20560252	1	Thermostat	86°C
28	3836308	1	Coolant pipe	
29	947457	2	Clamp	
30	967949	2	Flange screw	
31	3836309	1	Coolant pipe	
32	1547253	2	Sealing ring	
33	864491	2	Gasket	
34	977508	1	Hose nipple	
35	842235	1	Cardboard tube	