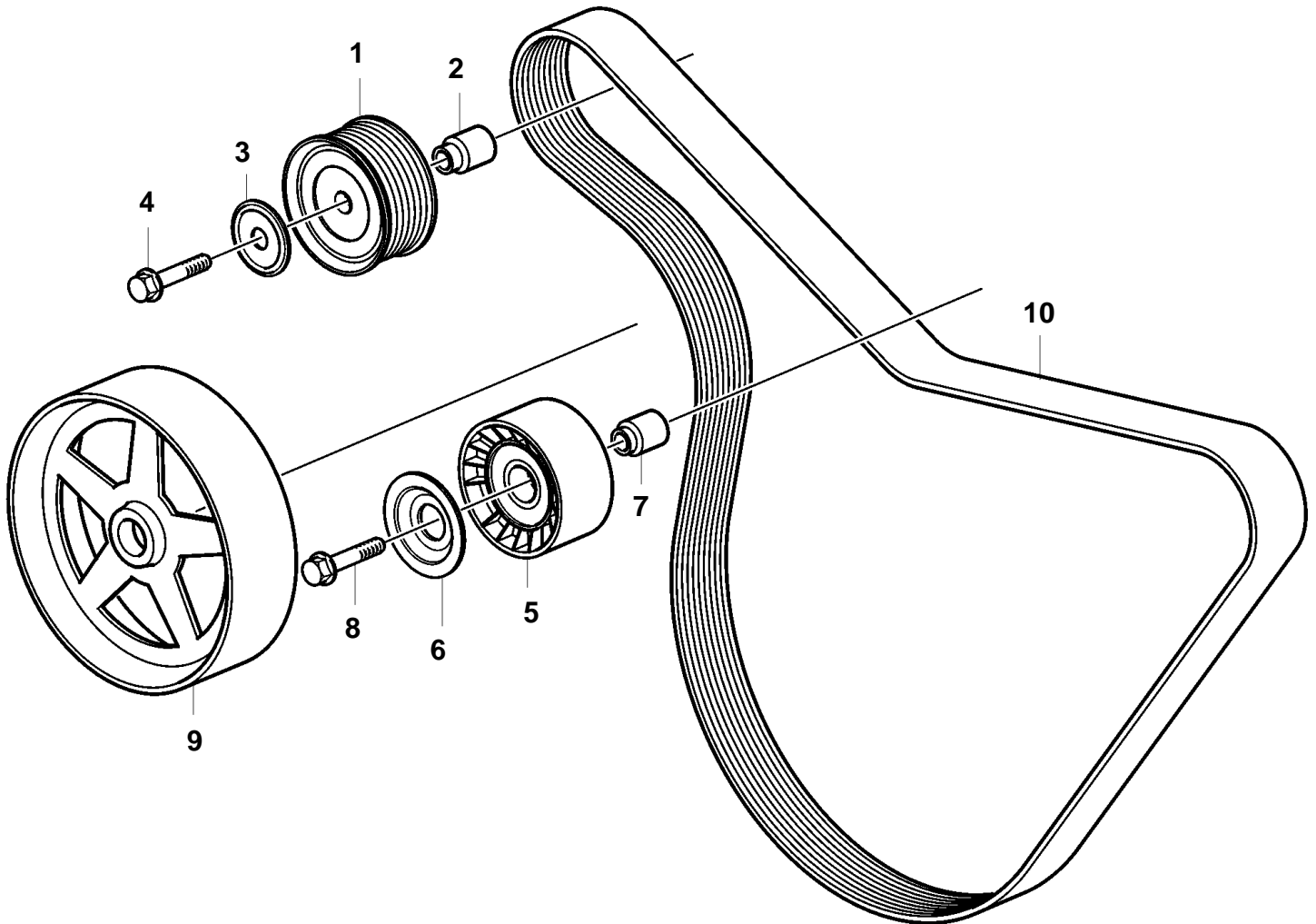
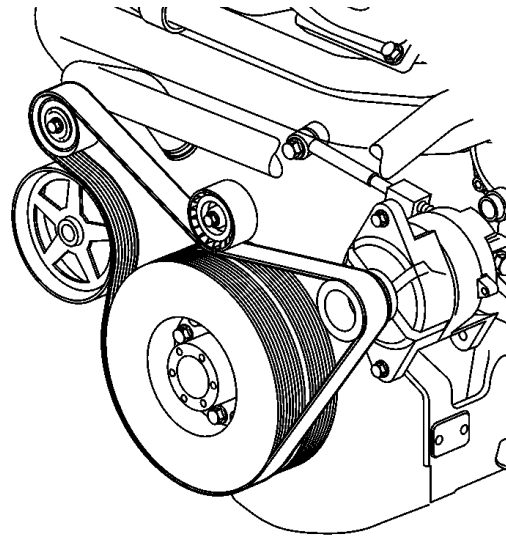


D9A2A D9-425, D9A2A D9-500 (R4), D9A2A D9-575, D9A2B 425, D9A2B D9-500 (R5), D9A2B D9-575, D9A2A D9A-MH, D9A2B MH



20697

D9A2A D9-425, D9A2A D9-500 (R4), D9A2A D9-575, D9A2B 425, D9A2B D9-500 (R5), D9A2B D9-575, D9A2A D9A-MH, D9A2B MH

REF	PART NO.	QTY	DESCRIPTION	SEE SEC.	NOTES
1	20357382	1	Idler pulley		(8086962)
2	3838009	1	Hub		
3	8097084	1	Cover		
4	965195	1	Flange screw		
5	3887305	1	Idler pulley		
6	3809563	1	Cardboard tube		
7	3818176	1	Hub		
8	965195	1	Flange screw		
9		1	Pulley, water pump	7448	
10	982570	1	V-ribbed belt		
	990422	1	V-ribbed belt	7498	For twin alternators.