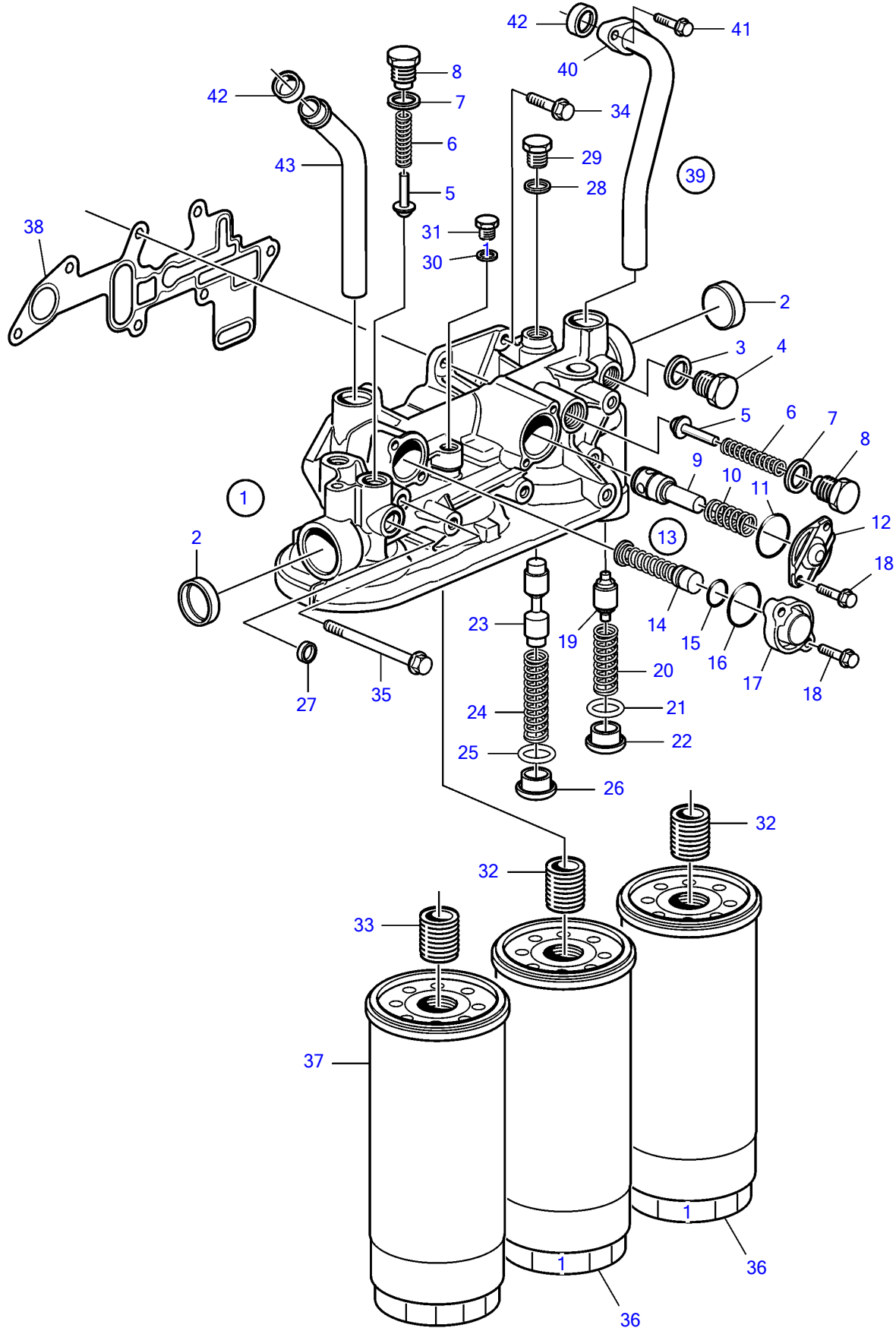


D9A2A D9A-MG



D9A2A D9A-MG

REF	PART NO.	QTY	DESCRIPTION	NOTES
1	888320	1	Oil filter housing	
2	8131707	2	• Cap plug	
3	11998	1	• Gasket	
4	960632	1	• Plug	
5	471085	2	• Valve cone	
6	466653	2	• Compression spring	
7	947627	2	• Gasket	
8	471598	2	• Plug	
9	471706	1	• Reduction valve	
10	469332	1	• • Spring	
11	469846	1	• Sealing ring	
12	471648	1	• Cover	
13	3169687	1	• Relief valve	
14	955964	1	• • Snap ring	
15	976039	1	• • O-ring	Obsolete part
16	949659	1	• O-ring	
17	3184806	1	• Cover	
18	947542	4	• Flange screw	
19	20440779	1	• Valve cone	
20	20464676	1	• Spring	
21	947629	1	• Gasket	
22	3587204	1	• Plug	
23	20440781	1	• Piston	
24	20464676	1	• Spring	
25	947622	1	• Gasket	
26	3587240	1	• Plug	
27	946778	1	• Cap plug	
28	947622	1	• Gasket	
29	960631	1	• Plug	
30	11994	1	• Gasket	
31	960629	1	• Plug	
32	466623	2	• Nipple	
33	469904	1	• Nipple	
34	946173	4	Flange screw	
35	969225	3	Flange screw	
36	478736	2	Oil filter	
37	477556	1	Oil filter, by-pass	
38	20480827	1	Gasket	
39	3161224	1	Pipe	
40	469543	1	• Flange	
41	965180	2	Flange screw	
42	471626	2	Sealing ring	
43	3161223	1	Pipe	