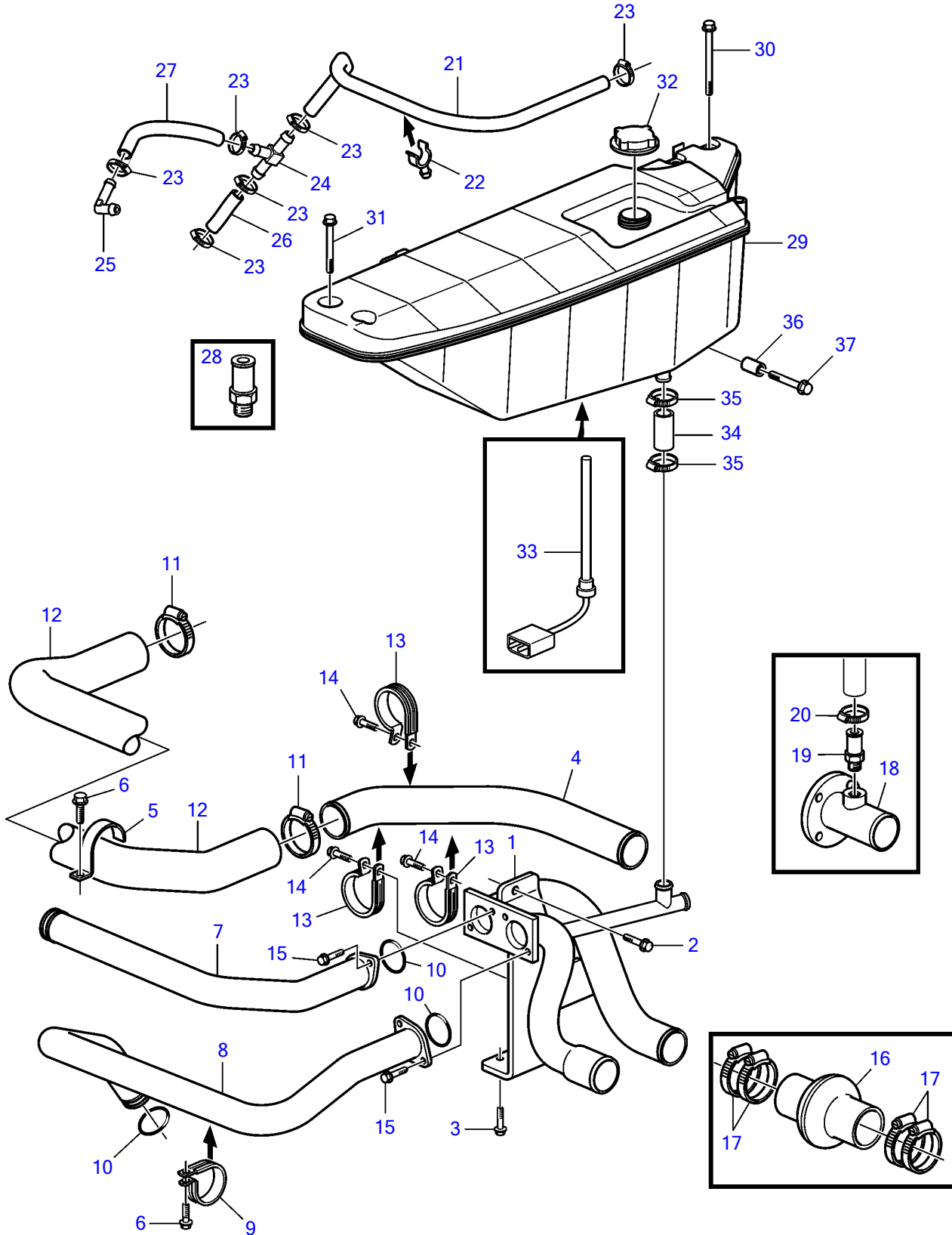


D9A2A D9A-MG



D9A2A D9A-MG

REF	PART NO.	QTY	DESCRIPTION	NOTES
1	3842946	1	Coolant pipe	
2	947760	1	Flange screw	
3	945444	2	Flange screw	
4	3843049	1	Coolant pipe	
5	948560	3	Clamp	
6	967949	5	Flange screw	
7	3836309	1	Coolant pipe	
8	3836308	1	Coolant pipe	
9	947457	2	Clamp	
10	1547253	3	Sealing ring	
11	961672	2	Hose clamp	
12	3836316	1	Hose	
13	945734	3	Clamp	
14	946544	3	Flange screw	
15	946173	4	Flange screw	
16	3832743	1	Hose connection	
17		4	• Clamp	
18		1	Flange	
19	968325	1	Hose nipple	
20	943474	1	Hose clamp	
21	943367	1	Rubber hose	L=620mm
22	9135343	2	Retainer	
23	961663	6	Hose clamp	
24	984445	1	T-nipple	
25	942758	1	Elbow nipple	
26	943367	X	Rubber hose	L=115mm
27	943367	X	Rubber hose	L=170mm
28	942722	1	Nipple	
29	3587686	1	Expansion tank	
30	969225	2	Flange screw	
31	965181	2	Flange screw	
32	1674083	1	Pressure cap	
33	3588990	1	Level sensor	
34	969033	X	Rubber hose	L=50mm
35	943474	2	Hose clamp	
36	833243	1	Spacer sleeve	
37	973924	1	Flange screw	