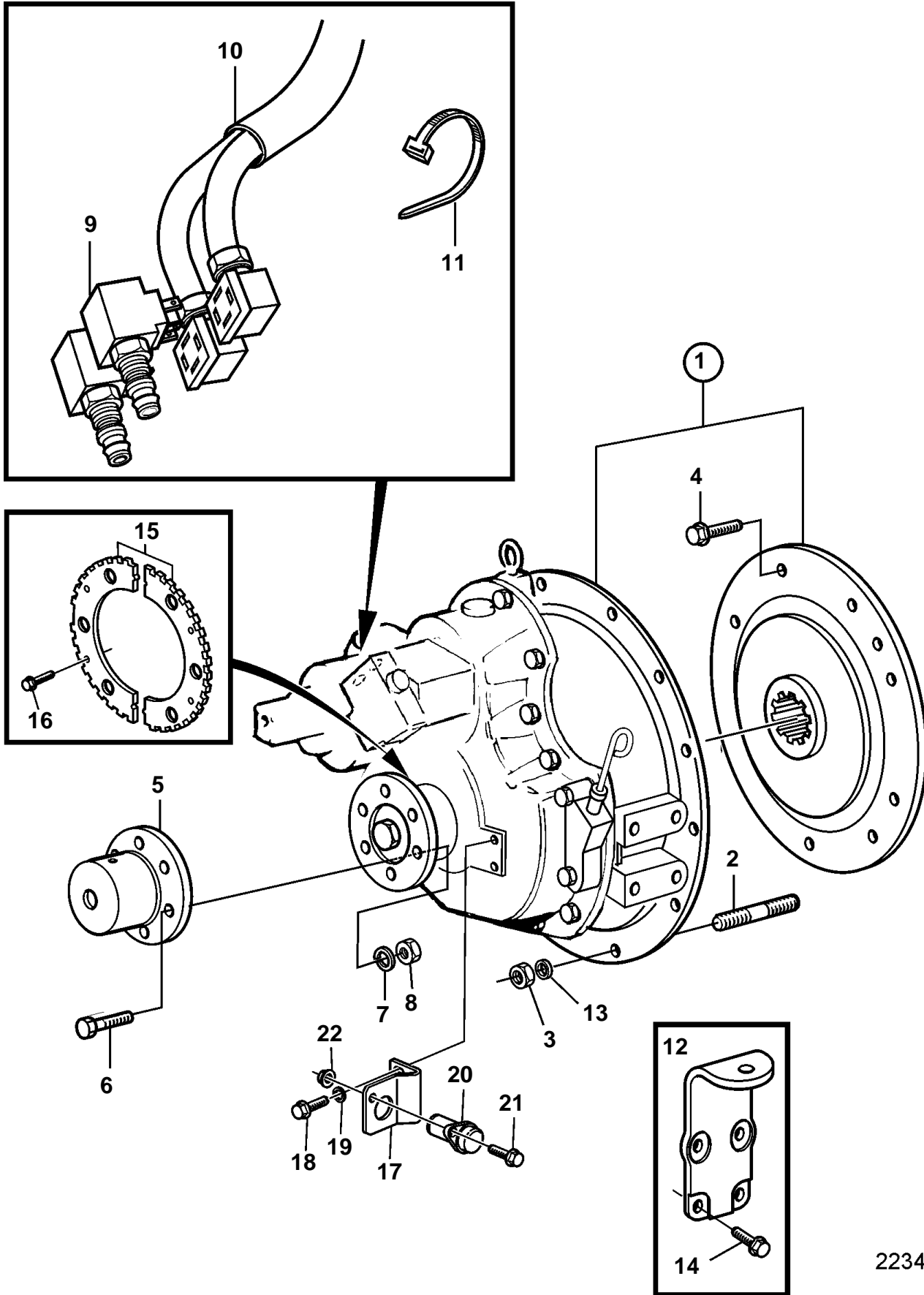


D9A2A 425, 500, 575, D9A2A MH



22348

D9A2A 425, 500, 575, D9A2A MH

REF	PART NO.	QTY	DESCRIPTION	NOTES
1		1	Reversing gear	RATIO 1.53:1
		1	Reversing gear	RATIO 1.77:1
		1	Reversing gear	RATIO 2.05:1
			Comps. not spec.	
2	479972	12	Stud	
3	971089	12	Lock nut	
4	965185	8	Flange screw	
5	863994	1	Clutch flange	
6	955739	8	Screw	
7	941912	8	Spring washer	
8	950378	8	Nut	
9	3828564	1	Solenoid	12V
	3828565	1	Solenoid	24V
10	874619	1	Wiring harness	
11	948211	X	Strip clamp	
12	3838221	2	Engine mountings	
13	823575	12	Spacer sleeve	
14	975125	8	Flange screw	
15	3819857	2	Sensor wheel	
16	945358	4	Flange screw	
17	3819870	1	Bracket	
18	946440	2	Flange screw	
19	941907	2	Spring washer	
20	20513343	1	Tachometer sensor	
21	946544	1	Flange screw	
22	949278	1	Lock nut	