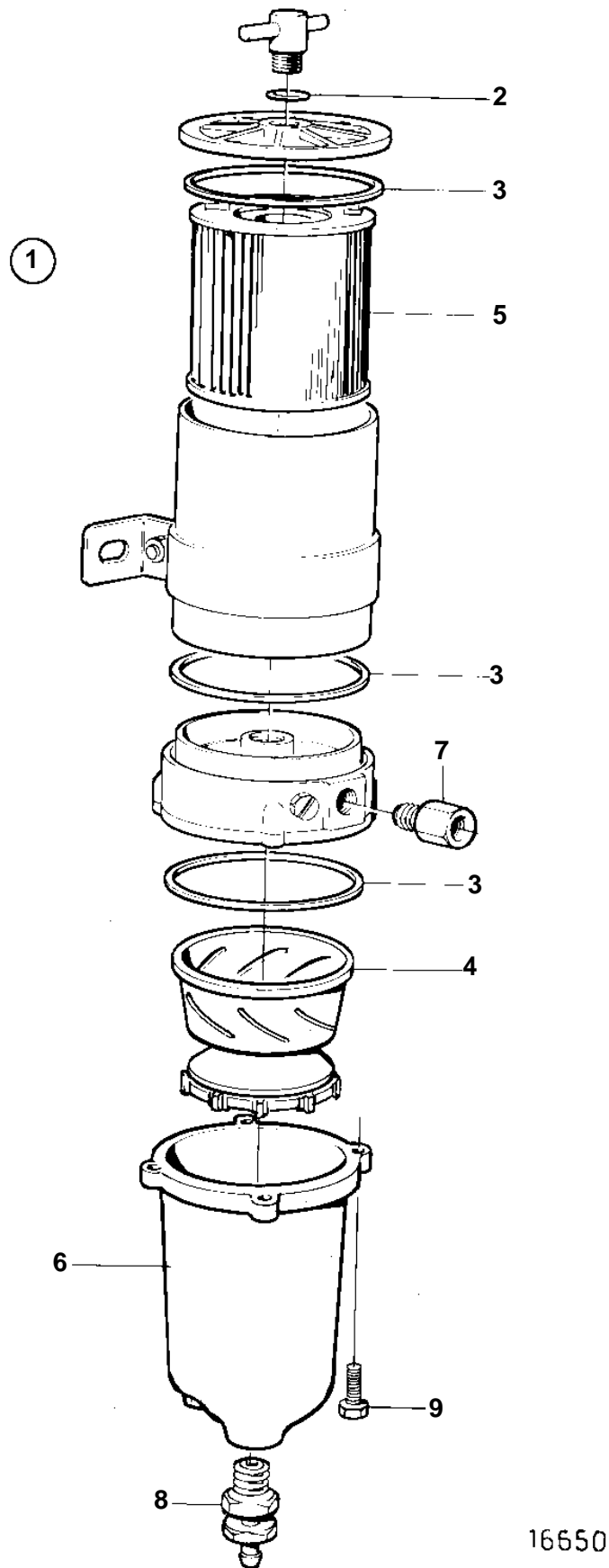


D9A2A 425, 500, 575, D9A2A MH



D9A2A 425, 500, 575, D9A2A MH

REF	PART NO.	QTY	DESCRIPTION	SEE SEC.	NOTES
1	3825020	1	Fuel cleaner		REPL BY 877769
			Bulletin 50-10	50-10-EN	Changes in Fuel Filter Program due to Legislation
			Bulletin 50-11A	50-11A-EN	Fuel Filters / Water Separators
2	838505	1	• O-ring		
3	846719	3	• Gasket		
4		1	• Turbine		
5	3838852	1	• Filter insert		
6	3838853	1	• Bowl		Transparent Bowl.
7	846620	2	• Nipple		
8	3825031	1	• Tap		
9	940094	4	• Screw		