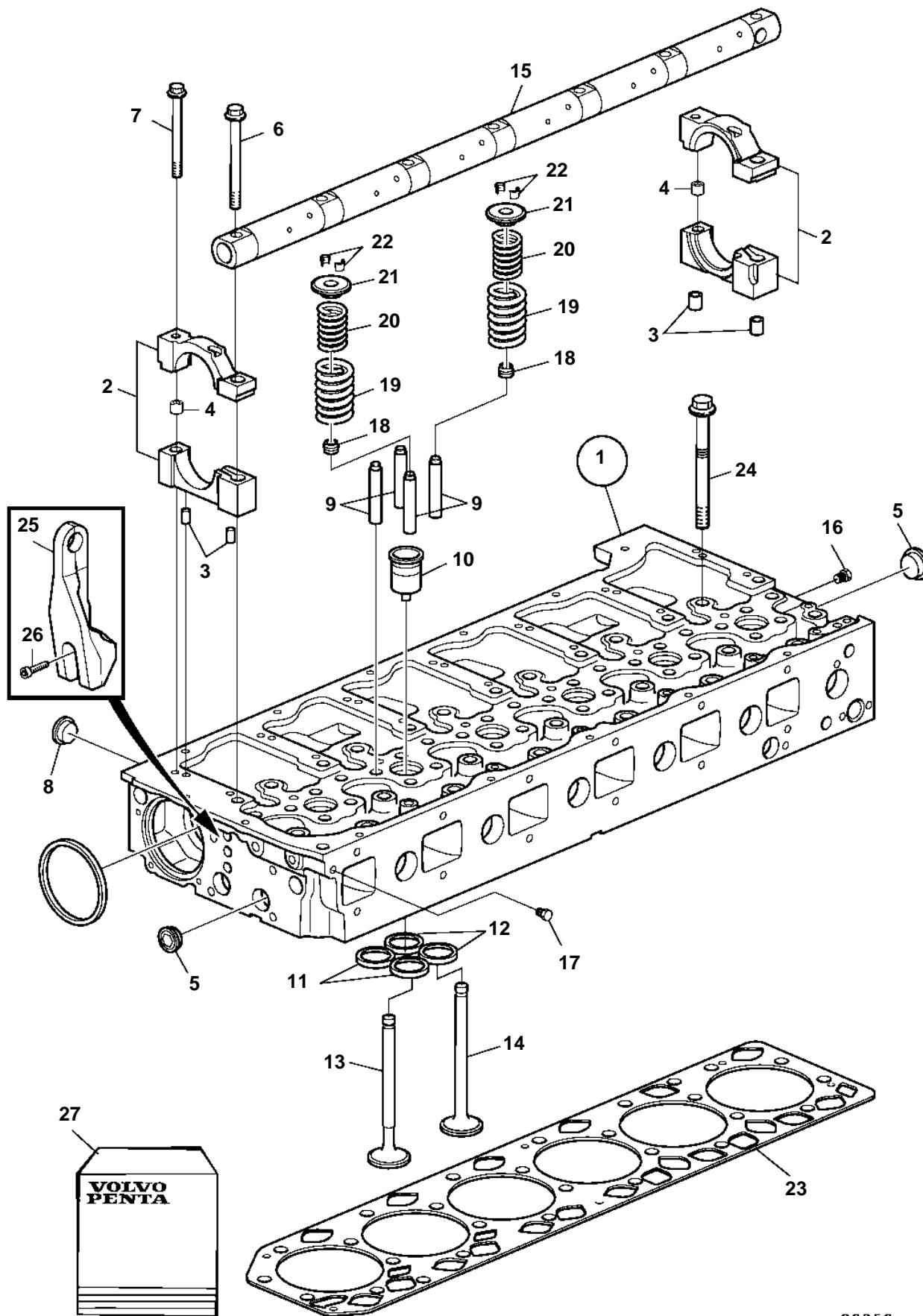


D9A2A MH



D9A2A MH

REF	PART NO.	QTY	DESCRIPTION	NOTES
1	3803886	1	Cylinder head, exch	
2	3161082	7	· Bearing housing	
3	422426	2	· · Pin	
4	950542	1	· · Pin	
5	8131706	5	· Cap plug	
6	20412482	7	· Flange screw	
7	975105	7	· Flange screw	
8	8131707	11	· Cap plug	
9	3165303	24	· Valve guide	
10	3183368	6	· Sleeve	
11	20555102	12	· Valve seat, intake	
12	20574175	12	· Valve seat, exhaust	
13	3817674	12	· Inlet valve	
14	3817672	12	· Exhaust valve	
15	8148088	1	· Rocker arm shaft	
16	968062	2	· Plug	
17	968060	1	· Plug	
18	859171	24	· Valve stem seal	
19	3183210	24	· Valve spring	
20	3183211	24	· Valve spring	
21	20510743	24	· Valve spring washer	
22	20510747	48	· Valve collet	
23	20495935	1	Gasket	
24	1547419	26	Screw	
25		1	Lifting eye	
26	966789	3	Screw	
27	3843449	1	Gasket kit	SEE GROUP 99