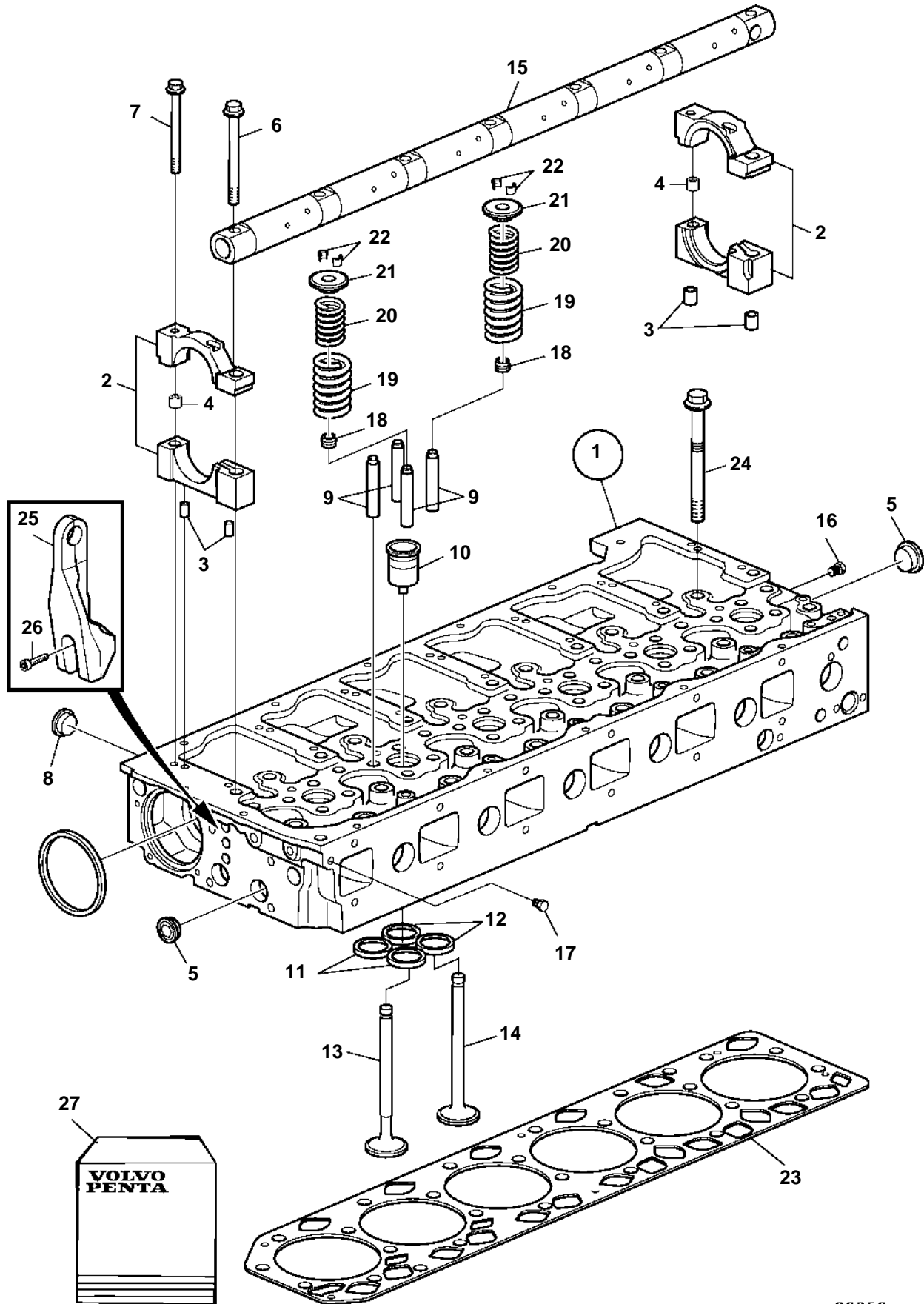


D9A2A 425, 500, 575



D9A2A 425, 500, 575

| REF | PART NO. | QTY | DESCRIPTION | NOTES |
|-----|----------|-----|-----------------------|--------------|
| 1 | 3803841 | 1 | Cylinder head, exch | |
| 2 | 3161082 | 7 | · Bearing housing | |
| 3 | 422426 | 2 | · · Pin | |
| 4 | 950542 | 1 | · · Pin | |
| 5 | 8131706 | 5 | · Cap plug | |
| 6 | 20412482 | 7 | · Flange screw | |
| 7 | 975105 | 7 | · Flange screw | |
| 8 | 8131707 | 11 | · Cap plug | |
| 9 | 3165303 | 24 | · Valve guide | |
| 10 | 3183368 | 6 | · Sleeve | |
| 11 | 20555102 | 12 | · Valve seat, intake | |
| 12 | 20574175 | 12 | · Valve seat, exhaust | |
| 13 | 3817674 | 12 | · Inlet valve | |
| 14 | 3817672 | 12 | · Exhaust valve | |
| 15 | 8148088 | 1 | · Rocker arm shaft | |
| 16 | 968062 | 2 | · Plug | |
| 17 | 968060 | 1 | · Plug | |
| 18 | 859171 | 24 | · Valve stem seal | |
| 19 | 3183210 | 24 | · Valve spring | |
| 20 | 3183211 | 24 | · Valve spring | |
| 21 | 20510743 | 24 | · Valve spring washer | |
| 22 | 20510747 | 48 | · Valve collet | |
| 23 | 20495935 | 1 | Gasket | |
| 24 | 1547419 | 26 | Screw | |
| 25 | | 1 | Lifting eye | |
| 26 | 966789 | 3 | Screw | |
| 27 | 3843449 | 1 | Gasket kit | SEE GROUP 99 |